

# Installation manual

## TurnLoader™ MD 1250/550





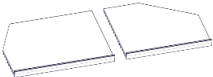







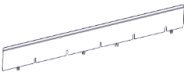
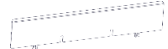
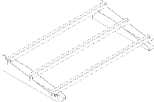

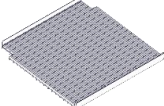

STANDARD SET - TurnLoader™ MD 1250/550 - TOP Art. No **0184-000**

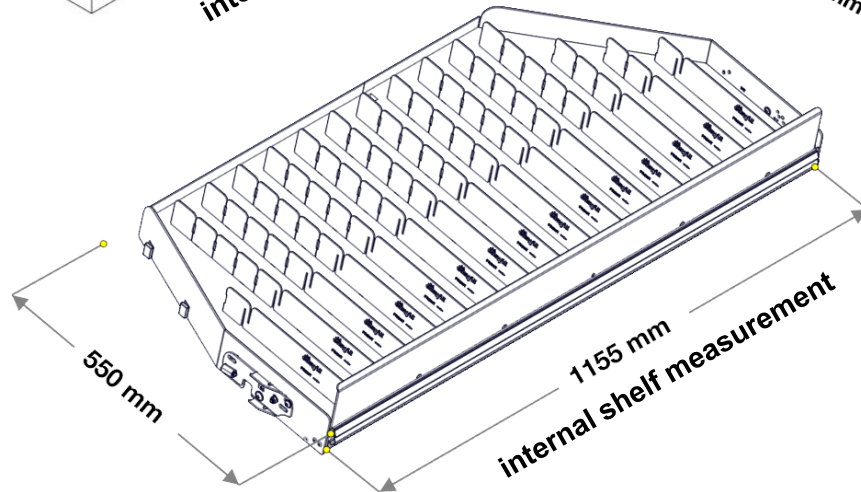
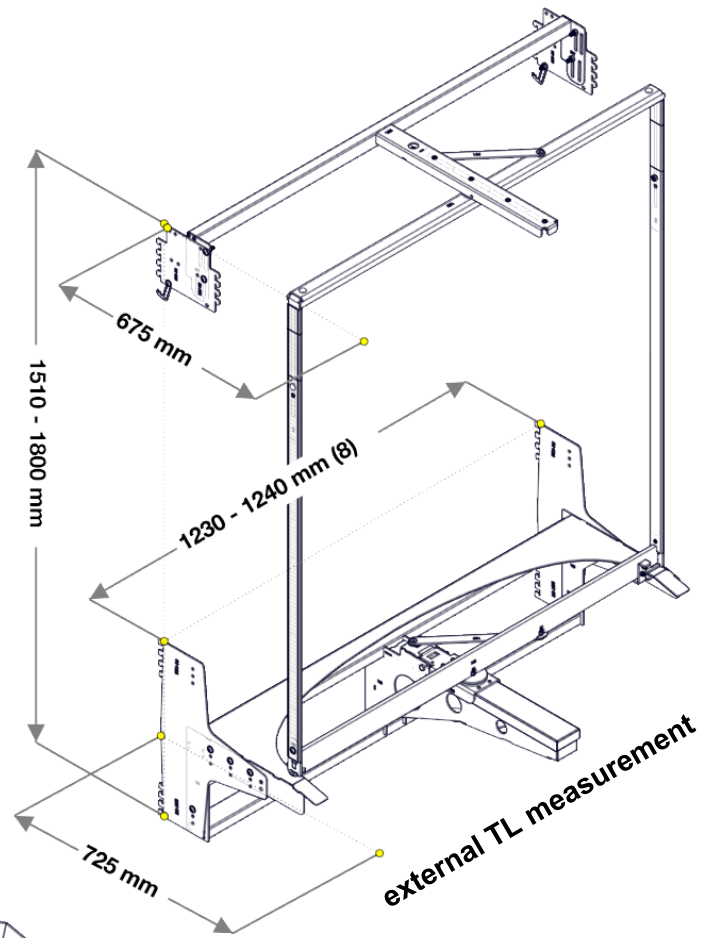
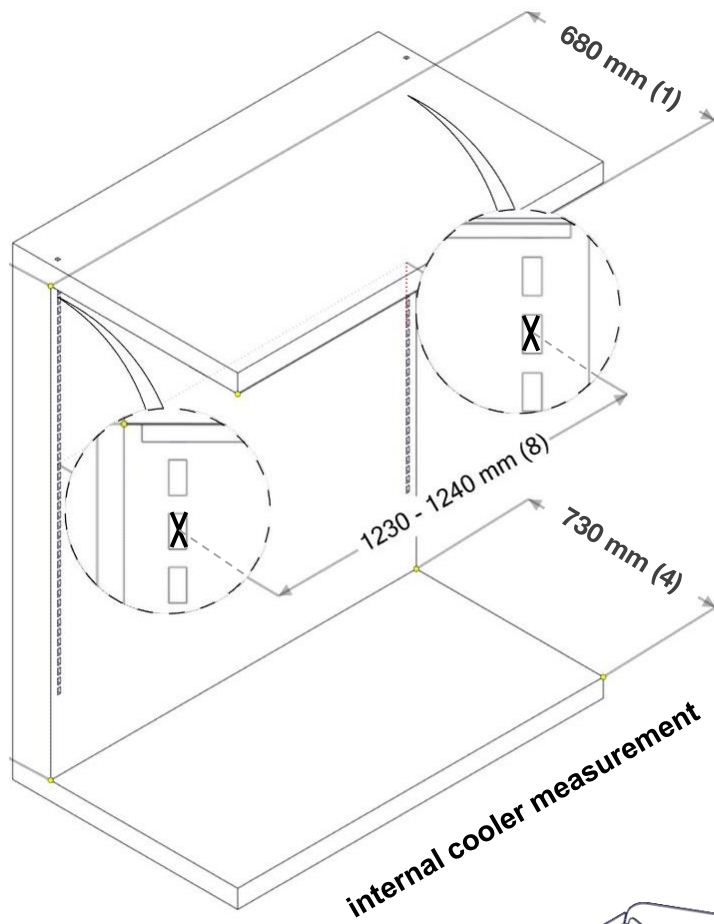
| TurnLoader MD 1250/550 packing details  |                 |         |                                       | PARTS                        |              |     |   | TurnLoader MD 1250/550 packing details |                 |                                       |                              | PARTS        |     |  |  |
|---|-----------------|---------|---------------------------------------|------------------------------|--------------|-----|---|--|-----------------|---------------------------------------|------------------------------|--------------|-----|--|--|
| SET Art. No   | Picture packing | Picture | Product name                          | Art. No                      | Weight/ item | Qty | SET Art. No   | Picture packing                        | Picture         | Product name                          | Art. No                      | Weight/ item | Qty |  |  |
| <b>1/8 A</b><br>100521<br>packing 510 x 370 x 55 /mm <sup>3</sup> ,<br>weight = 6,8 kg      |                 |         | Top bracket 25/30                     | 0184-50013-0                 | 0,665 kg     | 2   | <b>6/8</b><br>0184-62000-0<br>packing 1280 x 600 x 115 /mm <sup>3</sup> ,<br>weight = 14 kg |  |                 | Adjustable Shelf 0°, 4°, 8°, 12° /550 | 0184-62200-0                 | 7,300 kg     | 1   |  |  |
|   |                 |         | Bottom bracket 25/30                  | 0184-50011-0                 | 2,140 kg     | 2   |   |  |                 | Plastic part of adjustable shelf      | 0184-62004-0<br>0184-62005-0 | 3,665 kg     | 1   |  |  |
|   |                 |         | Handle frame                          | 4010-10000-0                 | 0,415 kg     | 1   |   |  |                 | Fontstopper Hight 113 mm              | 0155-1140-113                | 0,630 kg     | 1   |  |  |
|   |                 |         | Connecting mat. for -Frame            | 0155-40000-0                 | 0,325 kg     | 1   |   |  |                 | Divider Easyfill Uni 620              | 400476                       | 0,050 kg     | 15  |  |  |
| <b>2/8</b><br>0155-73000-0<br>weight = 29,80 kg   |                 |         | Bottom Part                           | 0155-73000-0                 | 29,800 kg    | 1   | <b>7/8</b><br>0184-62000-0<br>packing 1280 x 600 x 115 /mm <sup>3</sup> ,<br>weight = 14 kg |  |                 | Adjustable Shelf 0°, 4°, 8°, 12° /550 | 0184-62200-0                 | 7,300 kg     | 1   |  |  |
| <b>3/8</b><br>0155-08350-0-0<br>weight = 9,50 kg  |                 |         | Top part                              | 0155-08350-0                 | 9,500 kg     | 1   |   |  |                 | Plastic part of adjustable shelf      | 0184-62004-0<br>0184-62005-0 | 3,665 kg     | 1   |  |  |
|   |                 |         |                                       |                              |              |     |   |  |                 | Fontstopper Hight 113 mm              | 0155-1140-113                | 0,630 kg     | 1   |  |  |
|   |                 |         |                                       |                              |              |     |   |  |                 | Divider Easyfill Uni 620              | 400476                       | 0,050 kg     | 15  |  |  |
| <b>4/8</b><br>0155-08500-0-0<br>weight = 4,50 kg  |                 |         | Adjustable frame                      | 0155-08500-0                 | 4,500 kg     | 1   |   | Price Ticket LE-1140                   | CLSTR-459205-LE | 0,050 kg                              | 1                            |              |     |  |  |
| <b>5/8</b><br>0184-62000-0<br>packing 1280 x 600 x 115 /mm <sup>3</sup> ,<br>weight = 14 kg |                 |         | Adjustable Shelf 0°, 4°, 8°, 12° /550 | 0184-62200-0                 | 7,300 kg     | 1   | <b>8/8</b><br>0184-62000-0<br>packing 1280 x 600 x 115 /mm <sup>3</sup> ,<br>weight = 14 kg |  |                 | Adjustable Shelf 0°, 4°, 8°, 12° /550 | 0184-62200-0                 | 7,300 kg     | 1   |  |  |
|   |                 |         | Plastic part of adjustable shelf      | 0184-62004-0<br>0184-62005-0 | 3,665 kg     | 1   |   |  |                 | Plastic part of adjustable shelf      | 0184-62004-0<br>0184-62005-0 | 3,665 kg     | 1   |  |  |
|   |                 |         | Fontstopper Hight 113 mm              | 0155-1140-113                | 0,630 kg     | 1   |   |  |                 | Fontstopper Hight 113 mm              | 0155-1140-113                | 0,630 kg     | 1   |  |  |
|   |                 |         | Divider Easyfill Uni 620              | 400476                       | 0,050 kg     | 15  |   |  |                 | Divider Easyfill Uni 620              | 400476                       | 0,050 kg     | 15  |  |  |
|   |                 |         | Price Ticket LE-1140                  | CLSTR-459205-LE              | 0,050 kg     | 1   |   |  |                 | Price Ticket LE-1140                  | CLSTR-459205-LE              | 0,050 kg     | 1   |  |  |

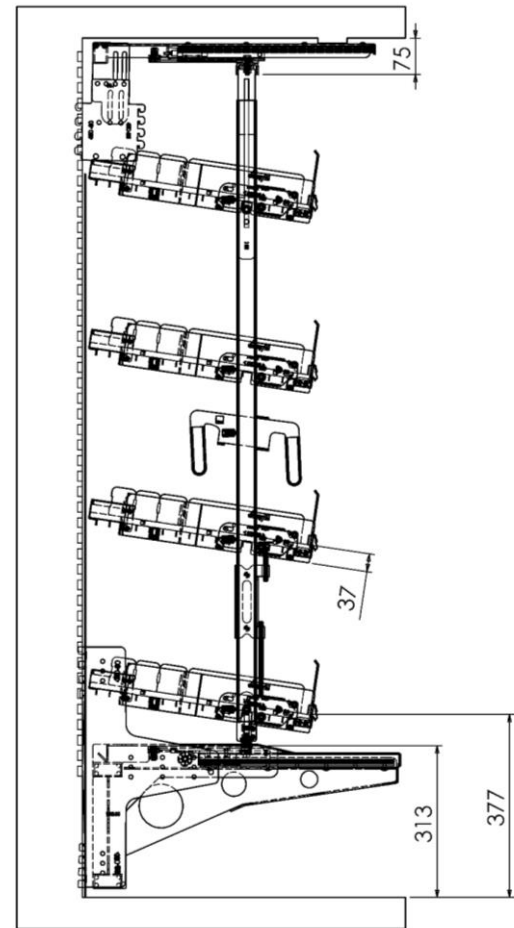
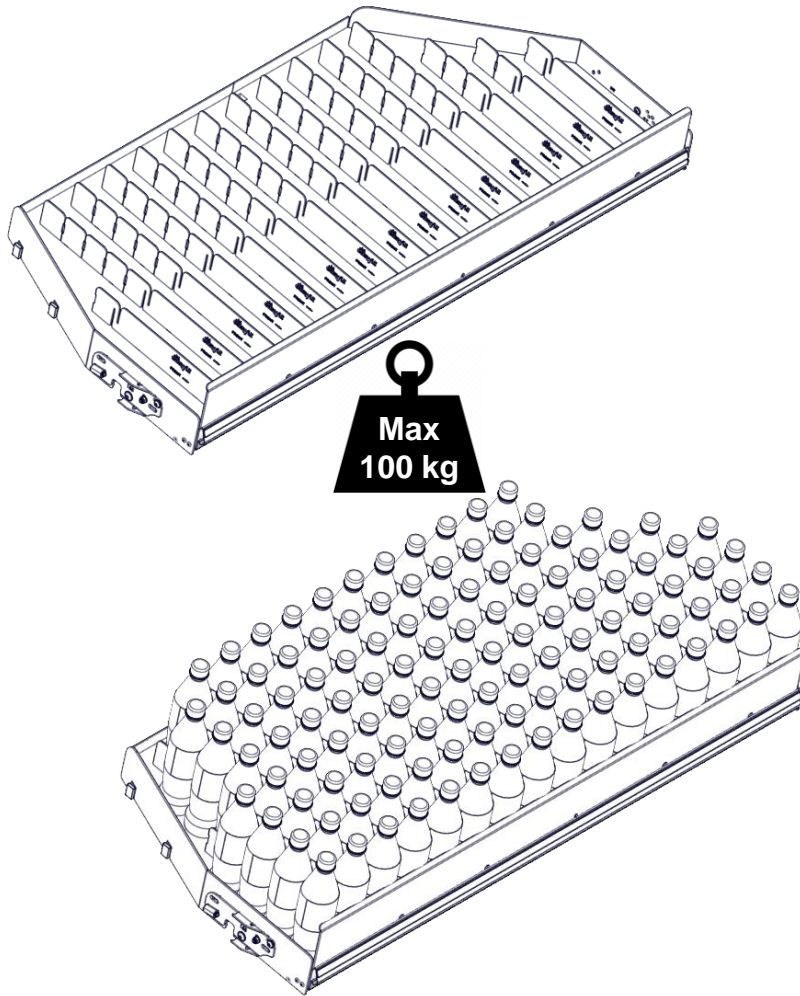
EXTRA SET - TurnLoader™ MD 1250/550

| TurnLoader MD 1250/550 packing details                             |                 |         |                                   |              |              |     | TurnLoader MD 1250/550 packing details                           |                 |                      |                                      |                              |              |     |
|--|-----------------|---------|-----------------------------------|--------------|--------------|-----|--|-----------------|----------------------|--------------------------------------|------------------------------|--------------|-----|
| SET Art. No  | Picture packing | Picture | Product name                      | Art. No      | Weight/ item | Qty | SET Art. No  | Picture packing | Picture              | Product name                         | Art. No                      | Weight/ item | Qty |
| 100516<br>packing 650 x 580 x 200 /mm/,<br>weight = 10,2 kg        |                 |         | Bottom Shelf                      | 0155-44100-0 | 1,800 kg     | 2   | 0184-62000-0<br>packing 1280 x 600 x 115 /mm/,<br>weight = 14 kg |                 |                      | Adjustable Shelf<br>0°,4°,8°,12°/550 | 0184-62200-0                 | 7,300 kg     | 1   |
|  |                 |         | Plastic part of bottom shelf      | 0155-44001-0 | 2,144 kg     | 2   |  |                 |                      | Plastic part of adjustable shelf     | 0184-62004-0<br>0184-62005-0 | 3,665 kg     | 1   |
|  |                 |         | Frontstopper UNI620 High H 113 mm | 0620-00113   | 0,213 kg     | 2   |  |                 |                      | Fontstopper Hight 113 mm             | 0155-1140-113                | 0,630 kg     | 1   |
|  |                 |         | Divider Easyfill Uni 620          | 400476       | 0,050 kg     | 16  |  |                 |                      | Divider Easyfill Uni 620             | 400476                       | 0,050 kg     | 15  |
| 1/8 B<br>100522<br>packing 510 x 370 x 55 /mm/,<br>weight = 6,8 kg |                 |         | Top bracket 25/32                 | 0184-50014-0 | 0,665 kg     | 2   |  |                 | Price Ticket LE-1140 | CLSTR-459205-LE                      | 0,050 kg                     | 1            |     |
|  |                 |         | Bottom bracket 25/32              | 0184-50012-0 | 2,140 kg     | 2   |  |                 |                      |                                      |                              |              |     |
|  |                 |         | Handle for frame                  | 4010-10000-0 | 0,415 kg     | 1   |  |                 |                      |                                      |                              |              |     |
|  |                 |         | Connecting mat. for -Frame        | 0155-40000-0 | 0,325 kg     | 1   |  |                 |                      |                                      |                              |              |     |

**ACCESSORIES**

| TurnLoader packing details  |                                     | ACCESSORIES                  |              |     | TurnLoader packing details  |  | ACCESSORIES  |              |     |
|---|-------------------------------------|------------------------------|--------------|-----|---|--|--------------|--------------|-----|
| Picture   | Product name                        | Art. No                      | Weight /item | Qty | Picture   | Product name                             | Art. No      | Weight /item | Qty |
|    | Adjustable Shelf<br>0°-12°/550      | 0184-62200-0                 | 7,300 kg     | 1   |    | Divider Easyfill Uni<br>620              | 400476       | 0,050 kg     | 1   |
|    | Plastic part of<br>adjustable shelf | 0184-62004-0<br>0184-62005-0 | 3,665 kg     | 1   |    | Divider extender<br>L=483 mm             | 889090       | 0,030 kg     | 1   |
|    | Price Ticket LE-<br>1140            | CLSTR-459205-LE              | 0,050 kg     | 1   |    | Pusher                                   | 0118-00000-0 | 0,050 kg     | 1   |
|    | Frontstopper High<br>H 113 mm       | 0155-1140-113                | 0,630 kg     | 1   |    | Rollertrack                              | 400392       | 0,150 kg     | 1   |
|    | Frontstopper Low<br>H 54 mm         | 0155-01140-54                | 0,250 kg     | 1   |    | Handle for frame                         | 4010-10000-0 | 0,415 kg     | 1   |
|    | Frontstopper<br>ExtraHigh H163 mm   | 0155-01140-163               | 0,850 kg     | 1   |    | Frontstopper UNI620<br>High H 113 mm     | 0620-00113   | 0,343 kg     | 1   |
|  | Bottom Shelf                        | 0155-44100-0                 | 1,800 kg     | 1   |  | Frontstopper UNI620<br>Low H 54 mm       | 400437       | 0,150 kg     | 1   |
|  | Plastic part of<br>bottom shelf     | 0155-44001-0                 | 2,144 kg     | 1   |  | Frontstopper UNI620<br>ExtraHigh H163 mm | 0620-00163   | 0,460 kg     | 1   |





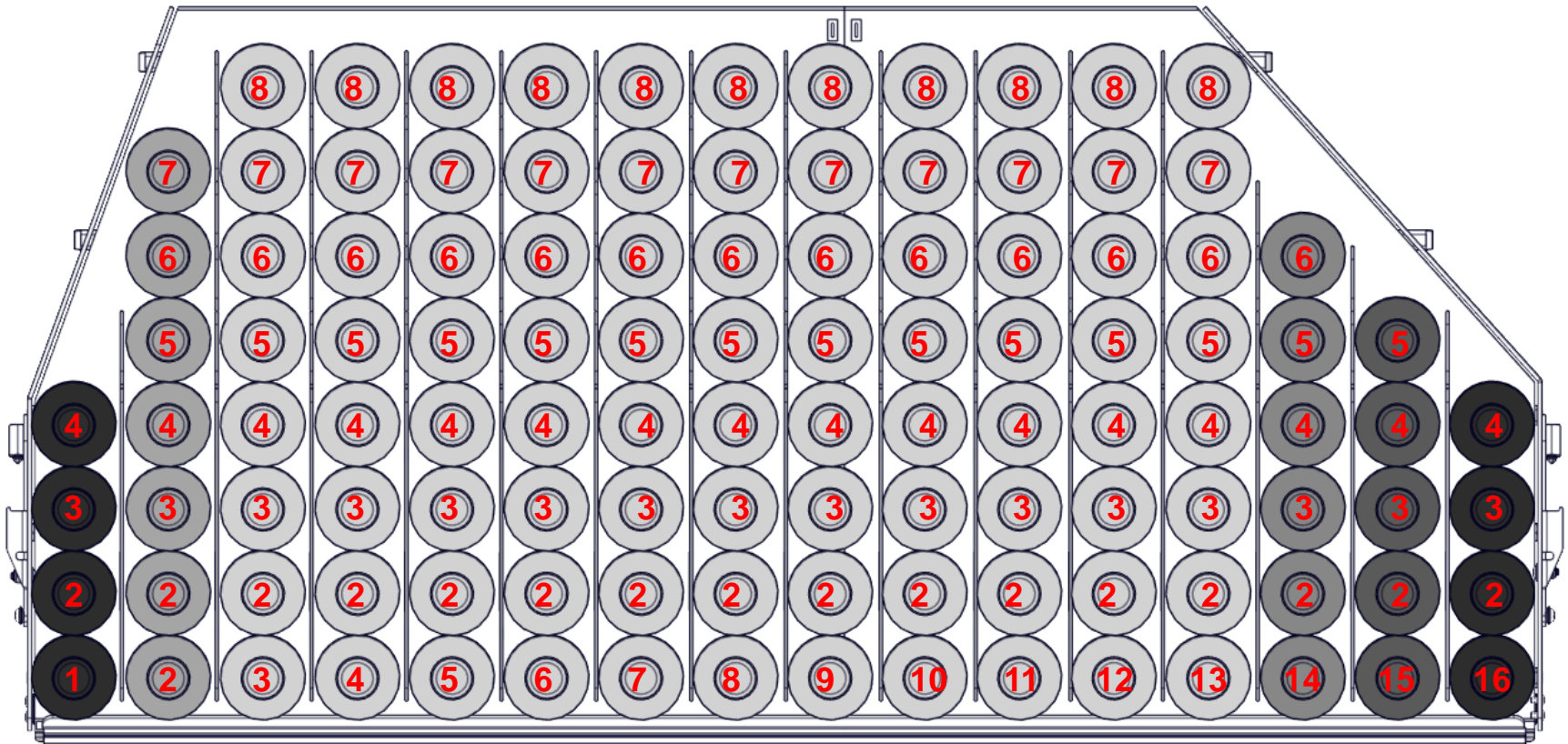
TL MD 1250/550 measurement

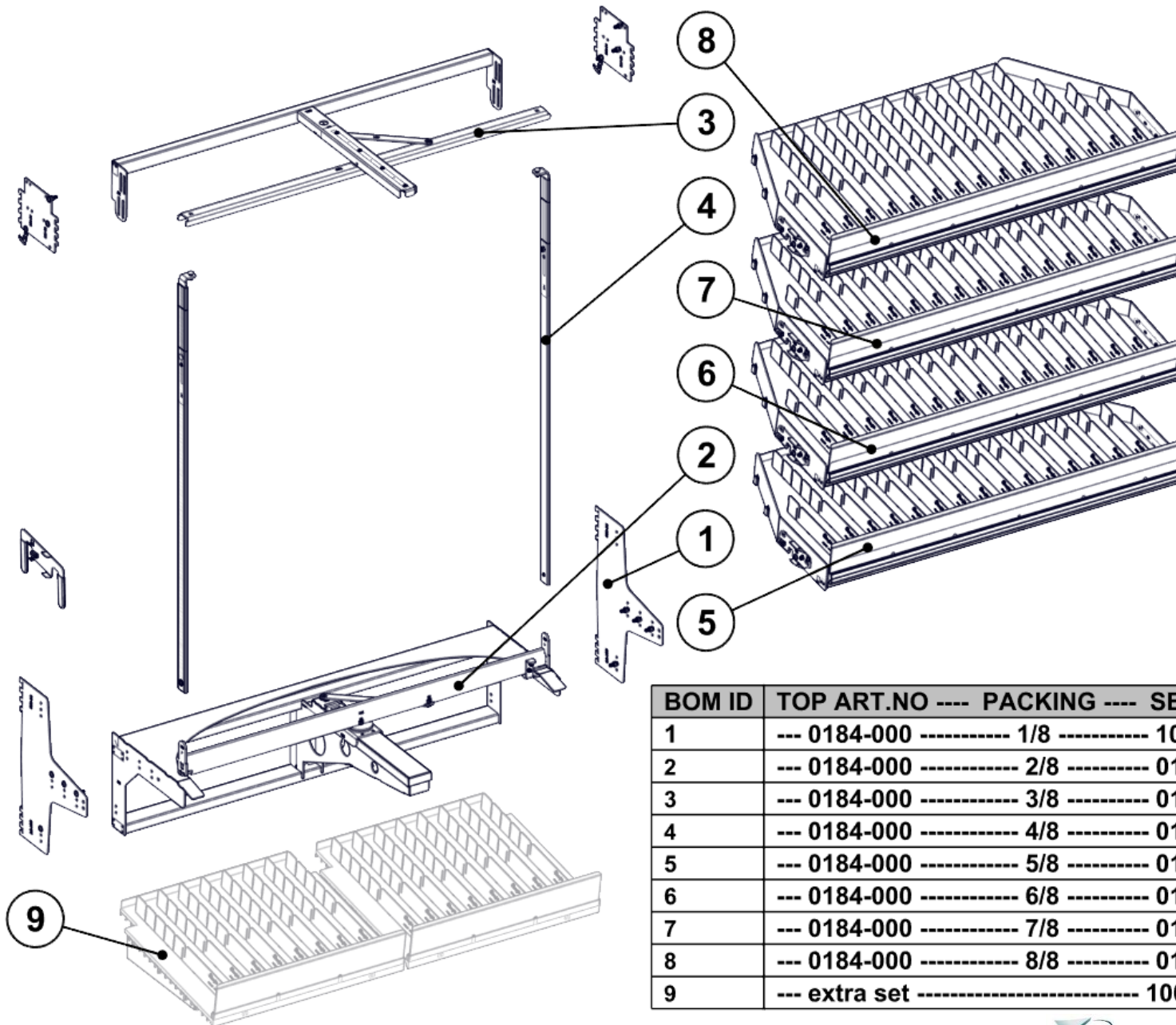


- 500 ml PET
- Ø 65 mm
- 0,48 m2

$$\begin{array}{l} 4 \times 2 = 8 \\ 5 \times 1 = 5 \\ 6 \times 1 = 6 \\ 7 \times 1 = 7 \\ 8 \times 11 = 88 \end{array}$$

**= 114**





| BOM ID | TOP ART.NO    | PACKING   | SET ART. NO        |
|--------|---------------|-----------|--------------------|
| 1      | --- 0184-000  | ----- 1/8 | ----- 100521       |
| 2      | --- 0184-000  | ----- 2/8 | ----- 0155-73000-0 |
| 3      | --- 0184-000  | ----- 3/8 | ----- 0155-08350-0 |
| 4      | --- 0184-000  | ----- 4/8 | ----- 0155-08500-0 |
| 5      | --- 0184-000  | ----- 5/8 | ----- 0184-62000-0 |
| 6      | --- 0184-000  | ----- 6/8 | ----- 0184-62000-0 |
| 7      | --- 0184-000  | ----- 7/8 | ----- 0184-62000-0 |
| 8      | --- 0184-000  | ----- 8/8 | ----- 0184-62000-0 |
| 9      | --- extra set | -----     | ----- 100516       |

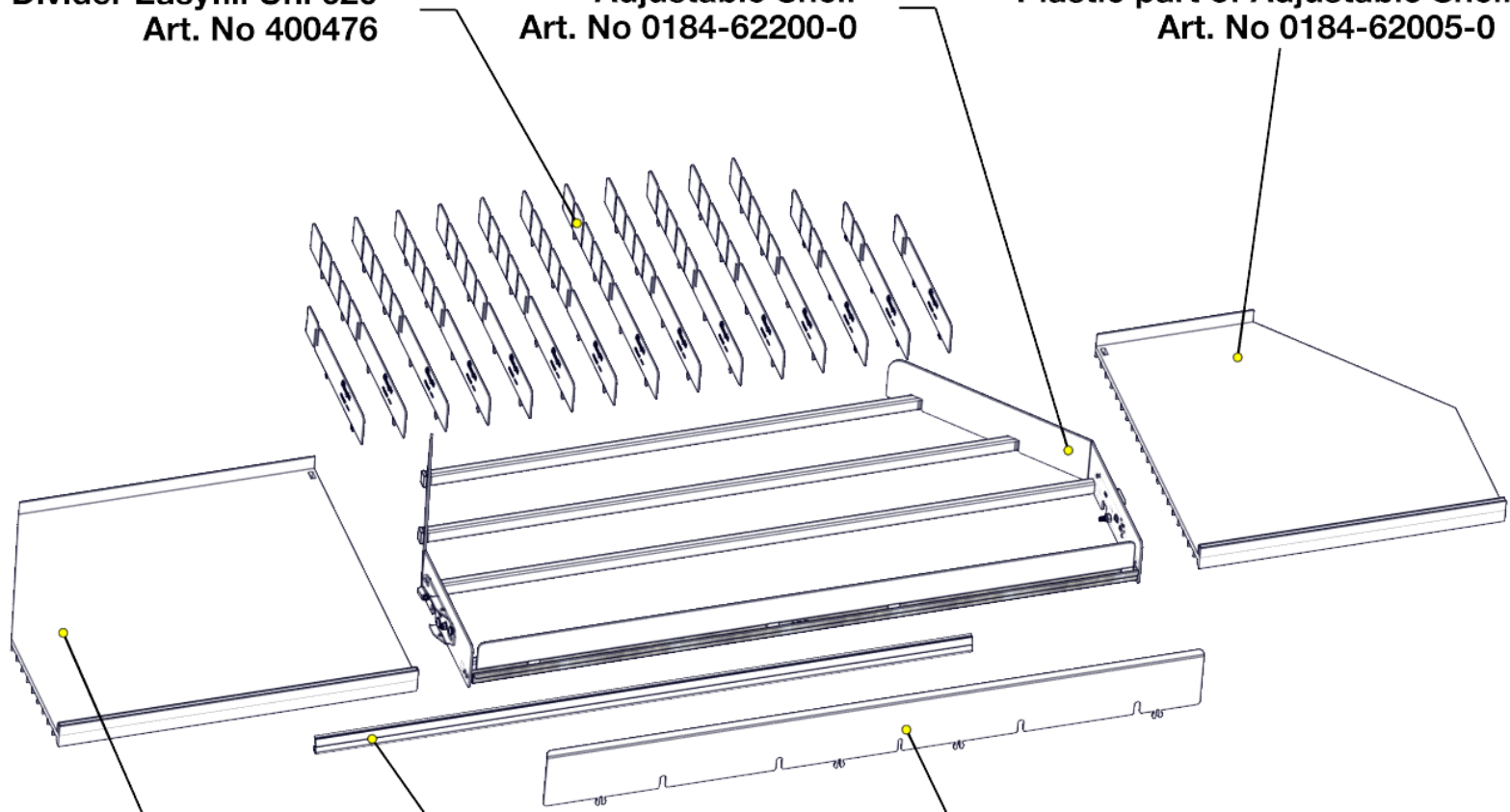


# SET Art.No. 0184-62000-0

Divider Easyfill Uni 620  
Art. No 400476

Adjustable Shelf  
Art. No 0184-62200-0

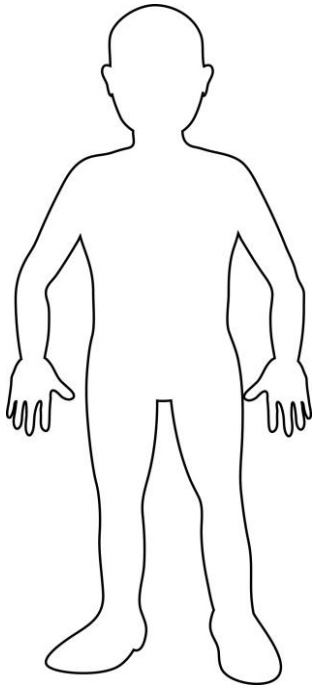
Plastic part of Adjustable Shelf  
Art. No 0184-62005-0



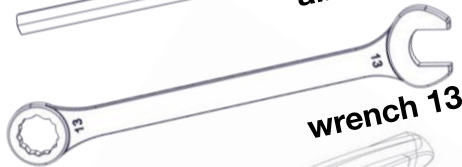
Plastic part of Adjustable Shelf  
Art. No 0184-62004-0

Price Ticket LE-1140  
Art. No CLSTR-459205 LE

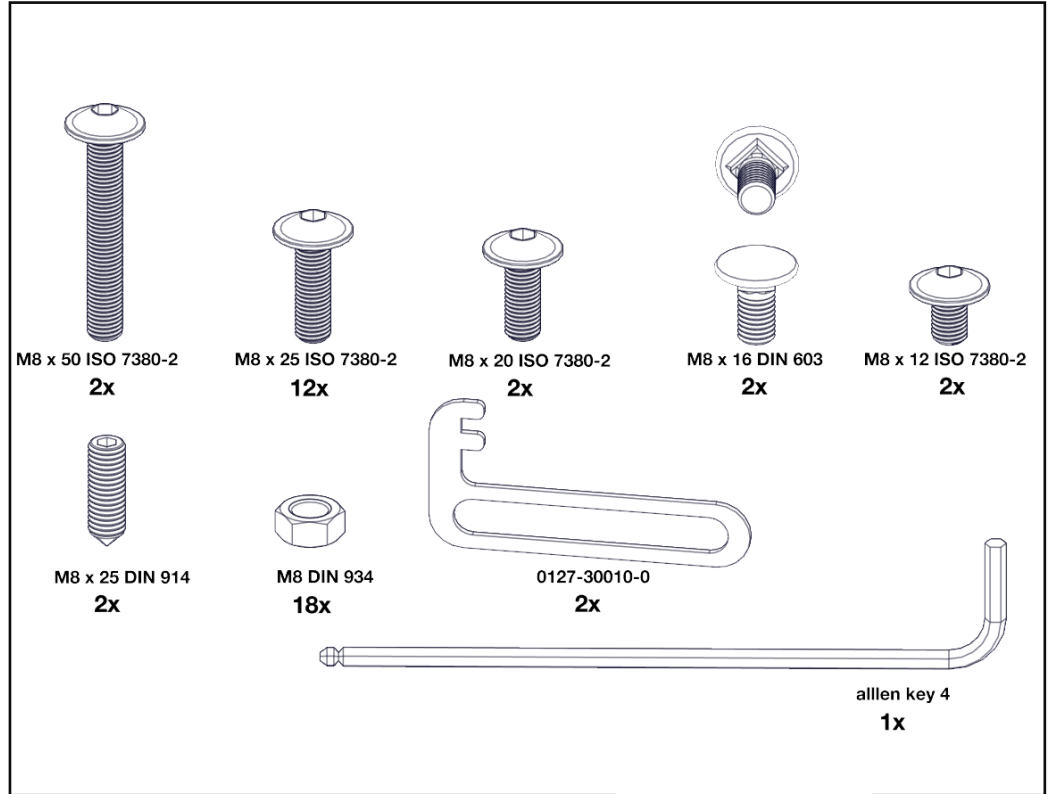
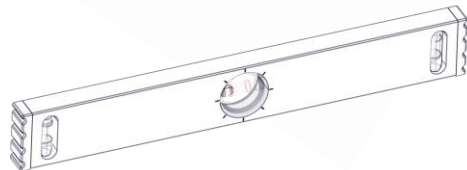
Frontstopper Hight 113 mm  
Art. No 0155-1140-113



allen key 5

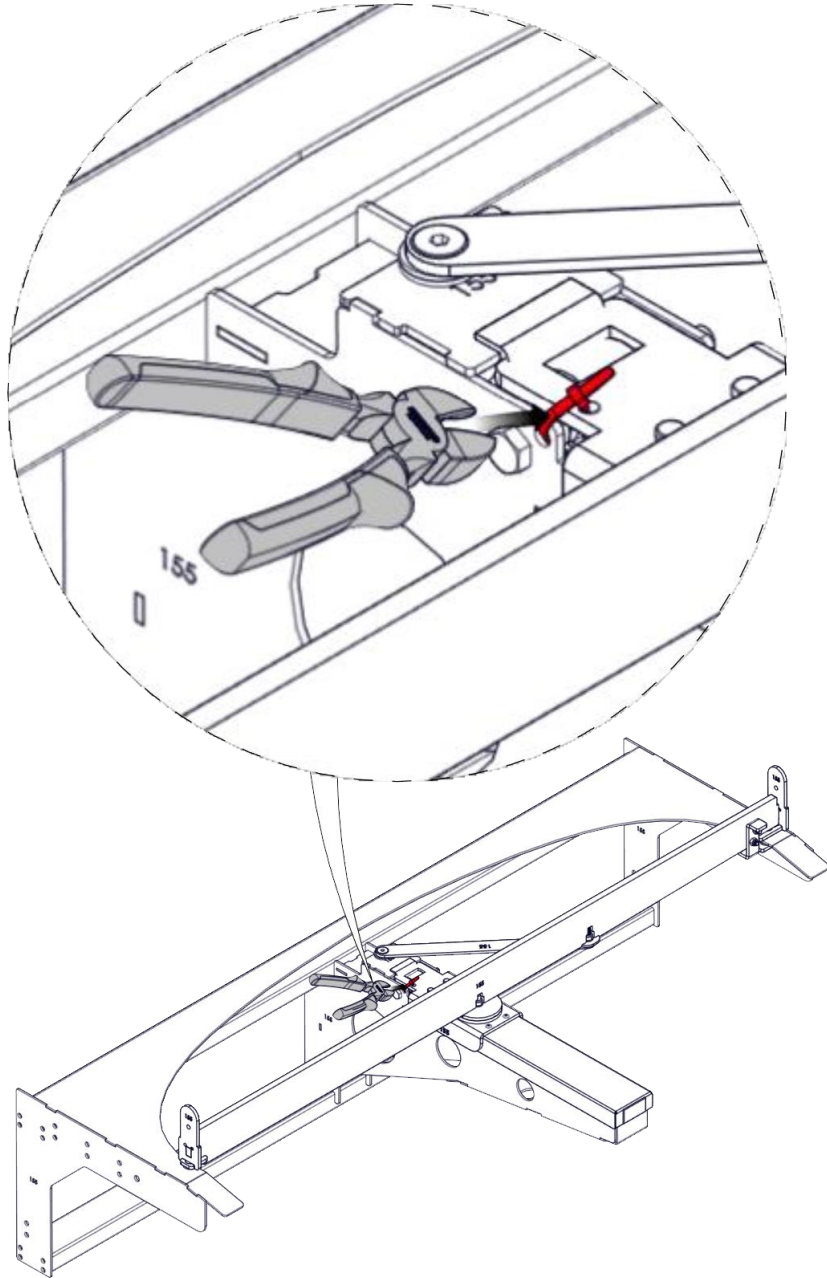


wrench 13

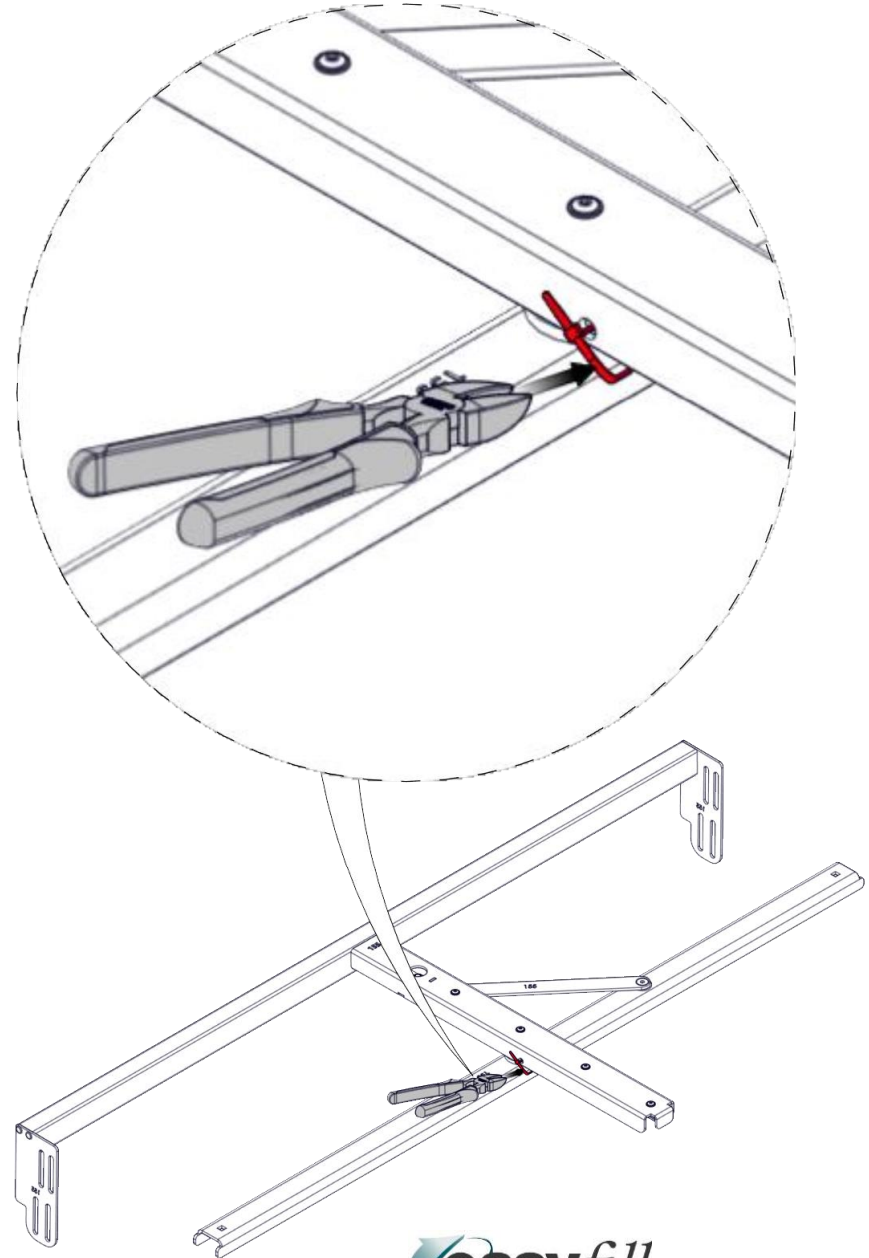


0155-40000-0

Art.No. 0155-73000-0

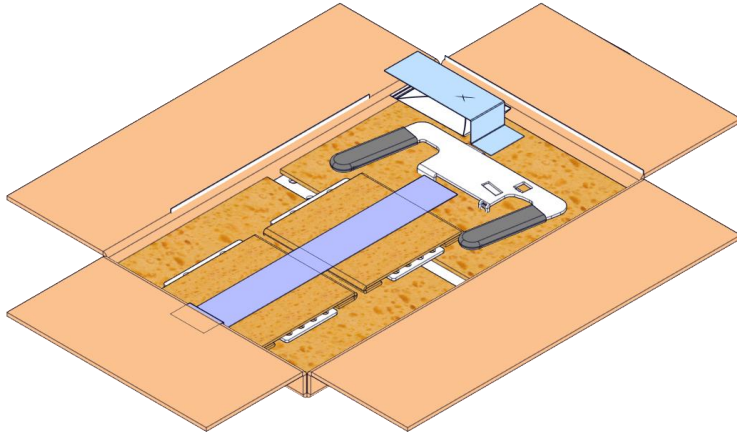


Art.No. 0155-08350-0

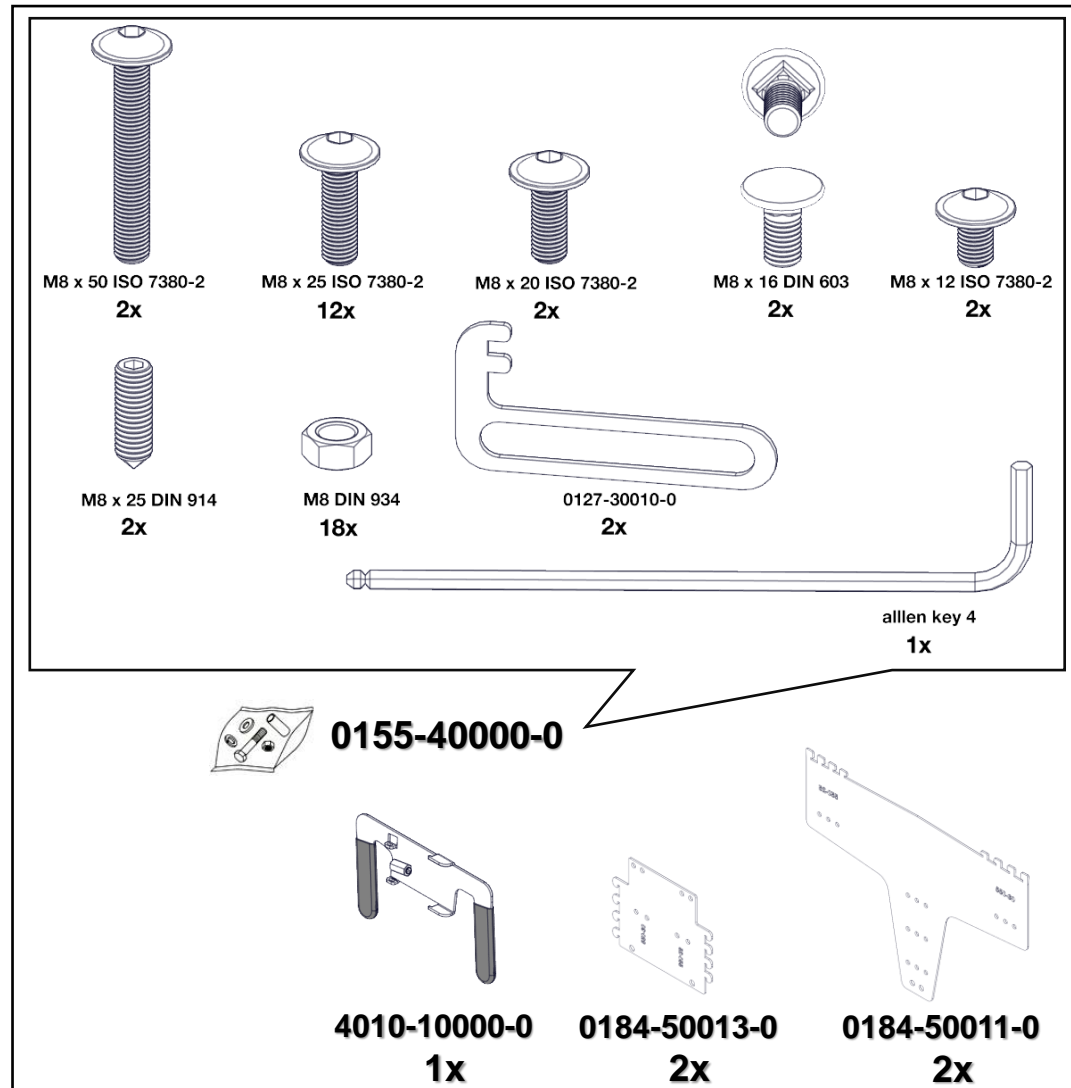


# Installation brackets

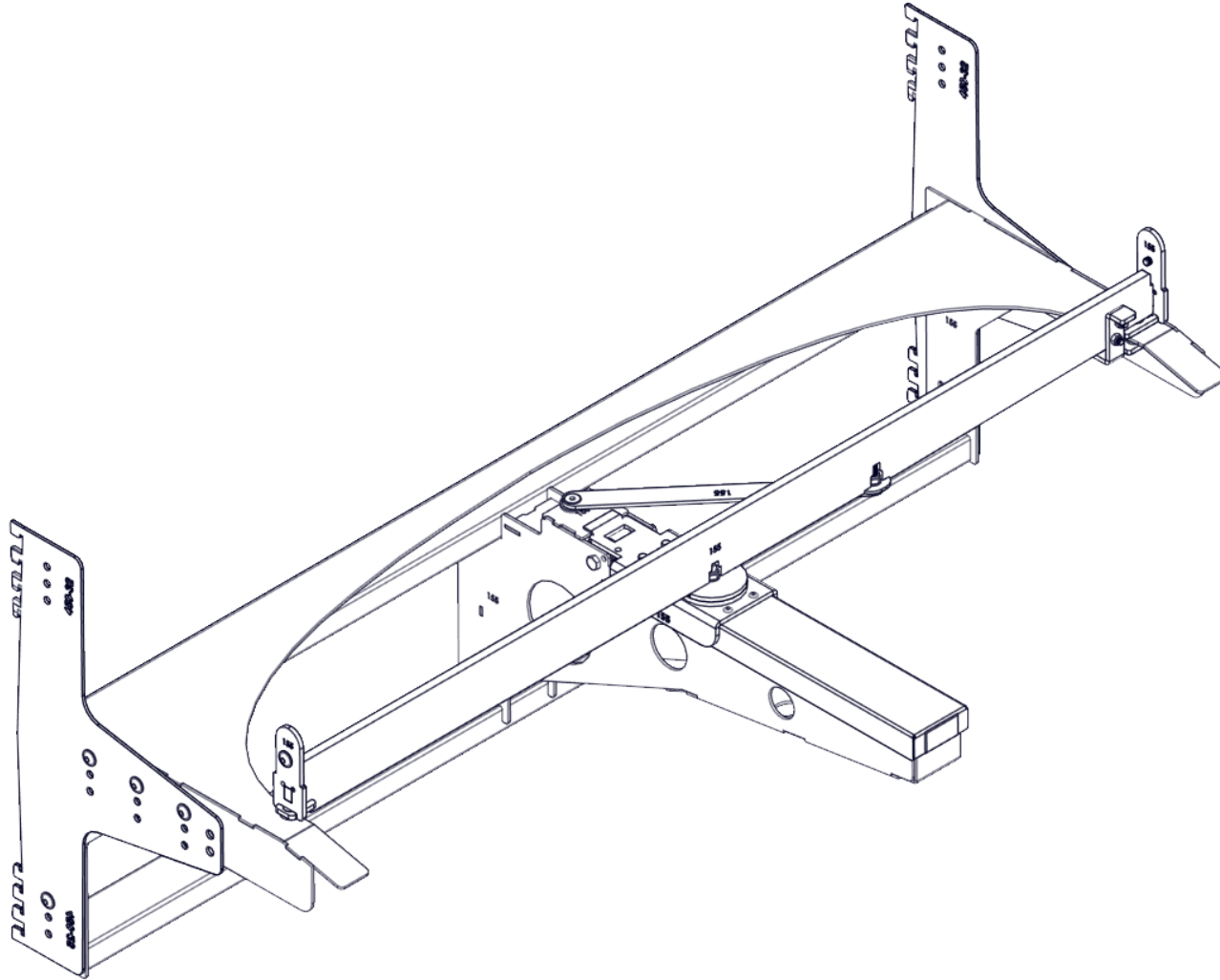
## Art.No. 100521



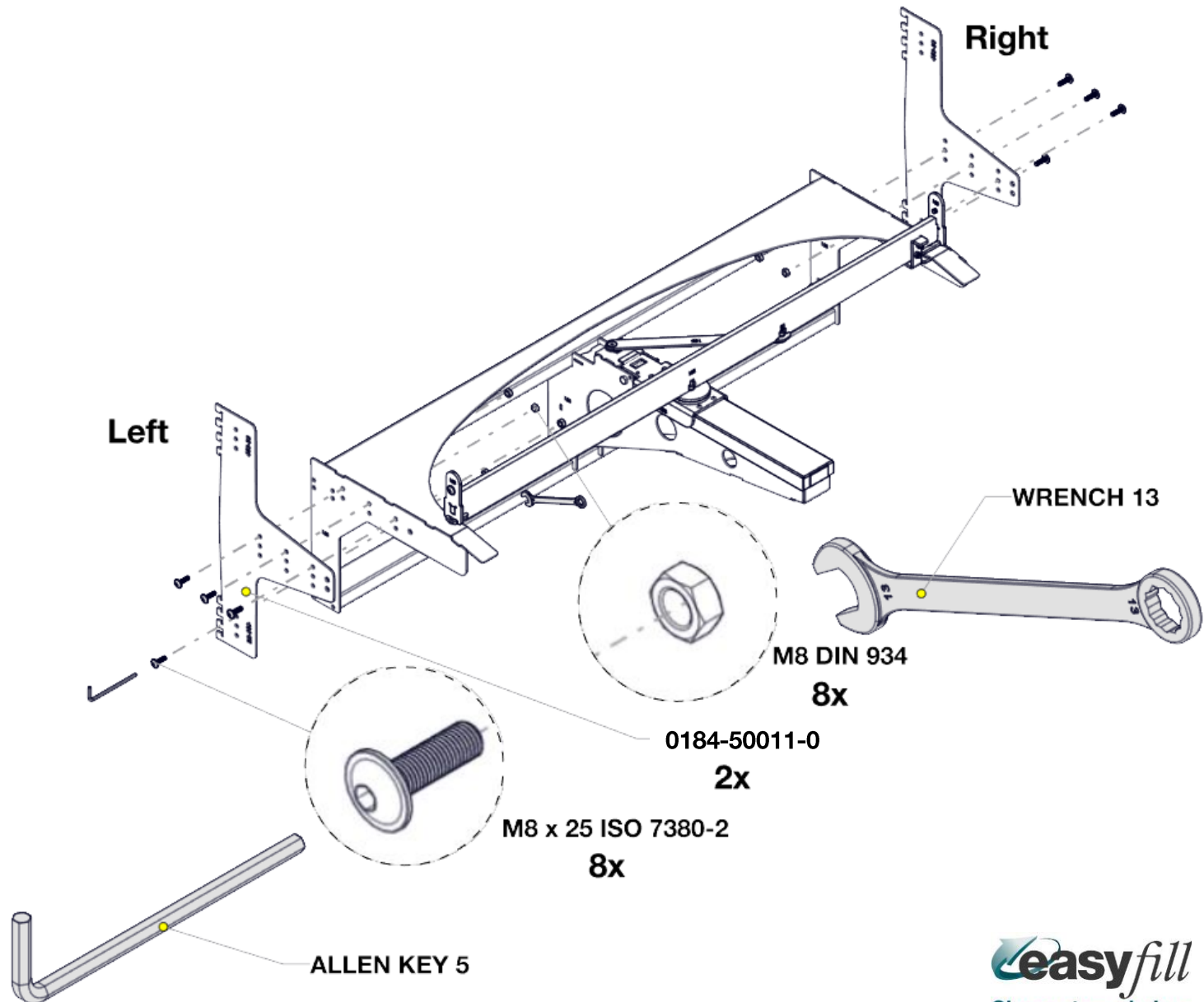
- connecting material for frame,
- handle for frame ,
- brackets 25/30



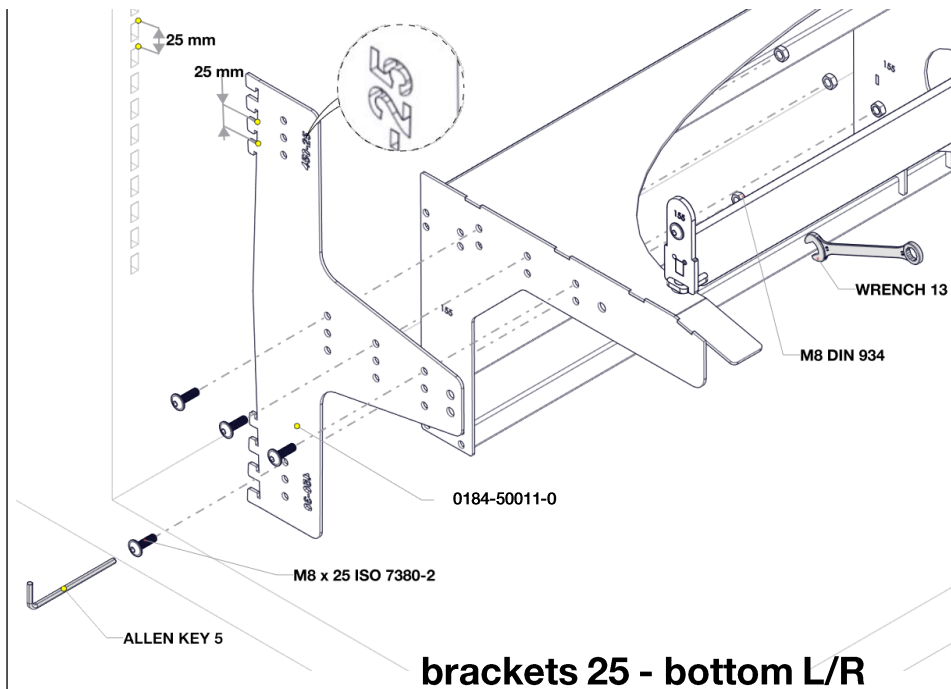
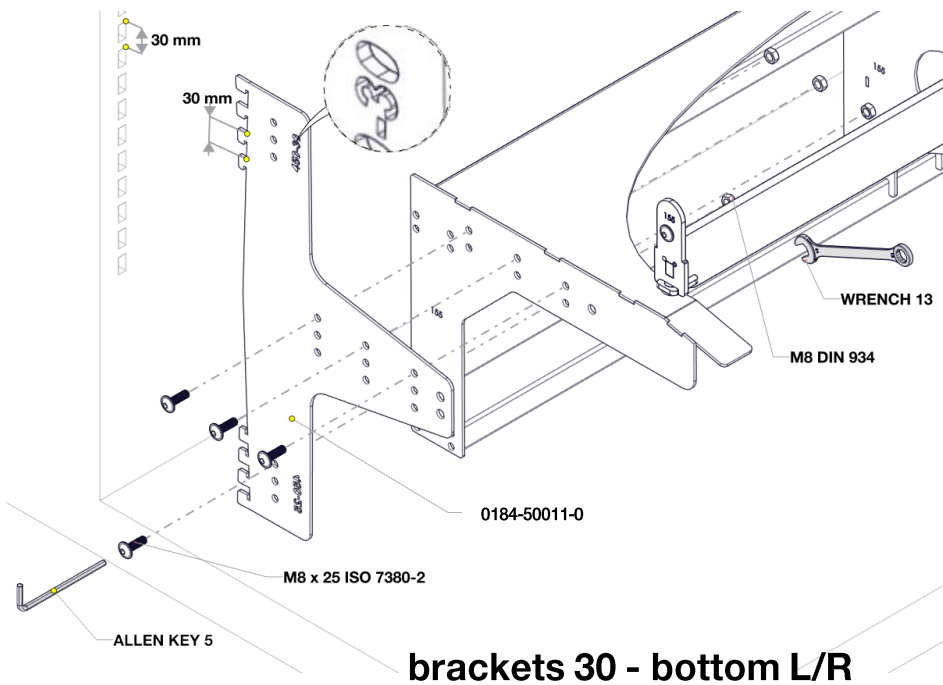
# Installation of bottom part Art.No. 0155-73000-0 + bottom brackets



# Art.No. 0155-73000-0 + bottom brackets

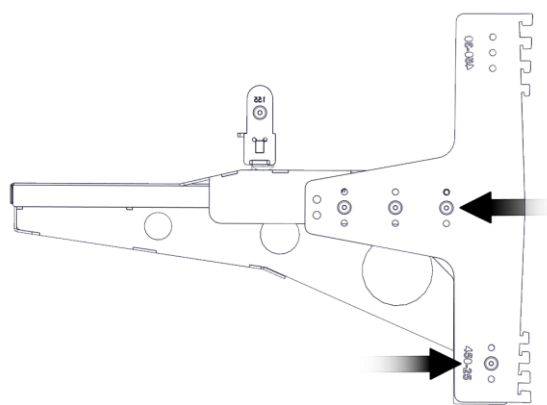
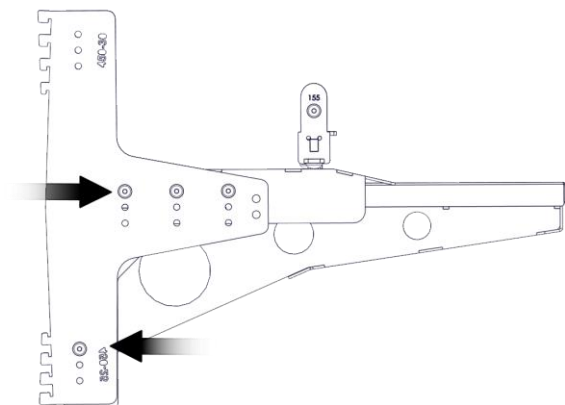


# Art.No. 0155-73000-0 + bottom brackets

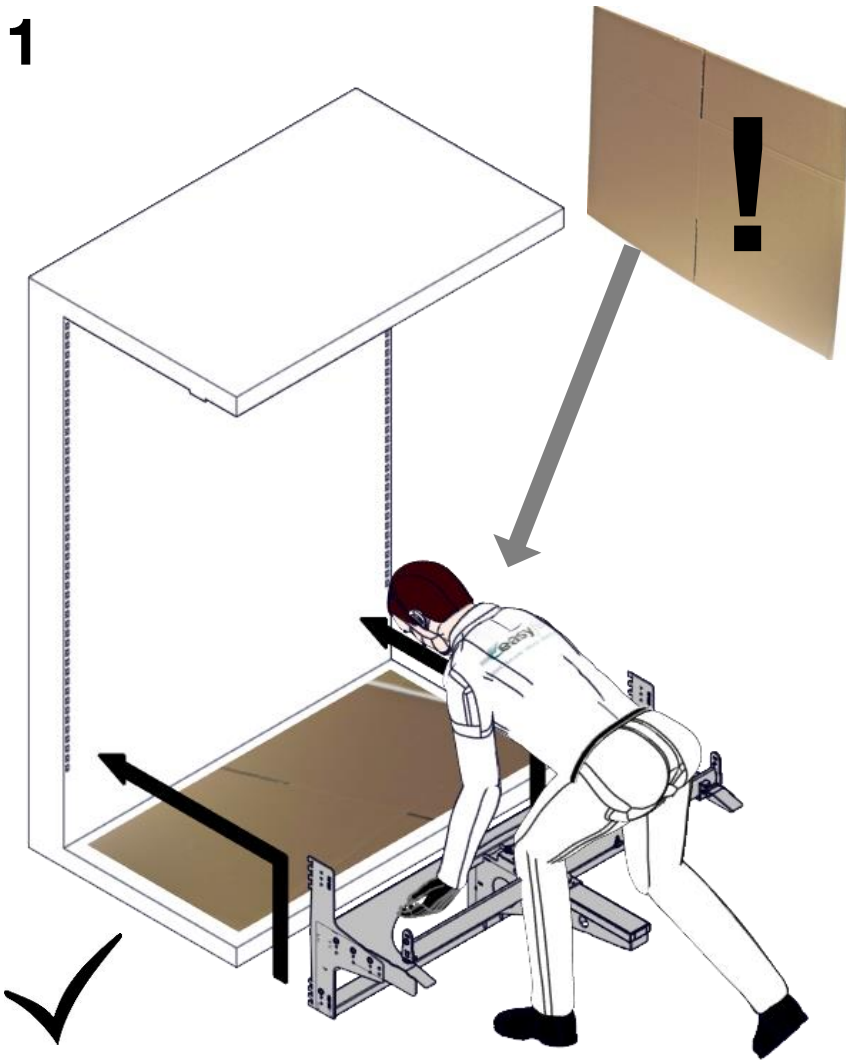


**Left**

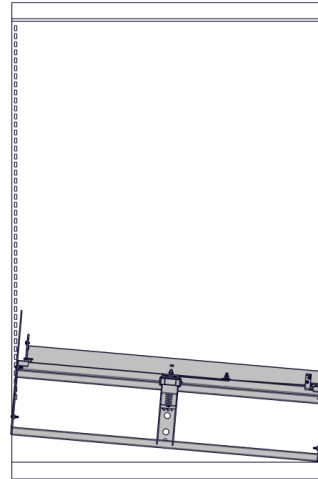
**Right**



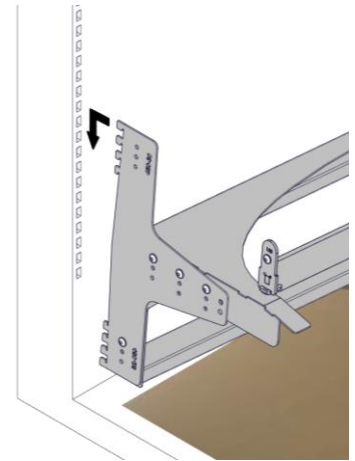
1



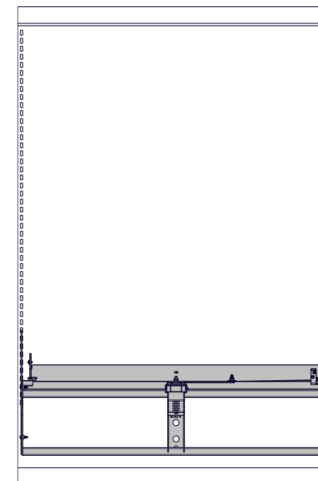
1a



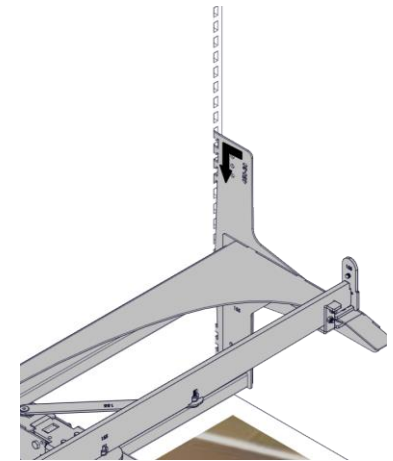
1b



1c

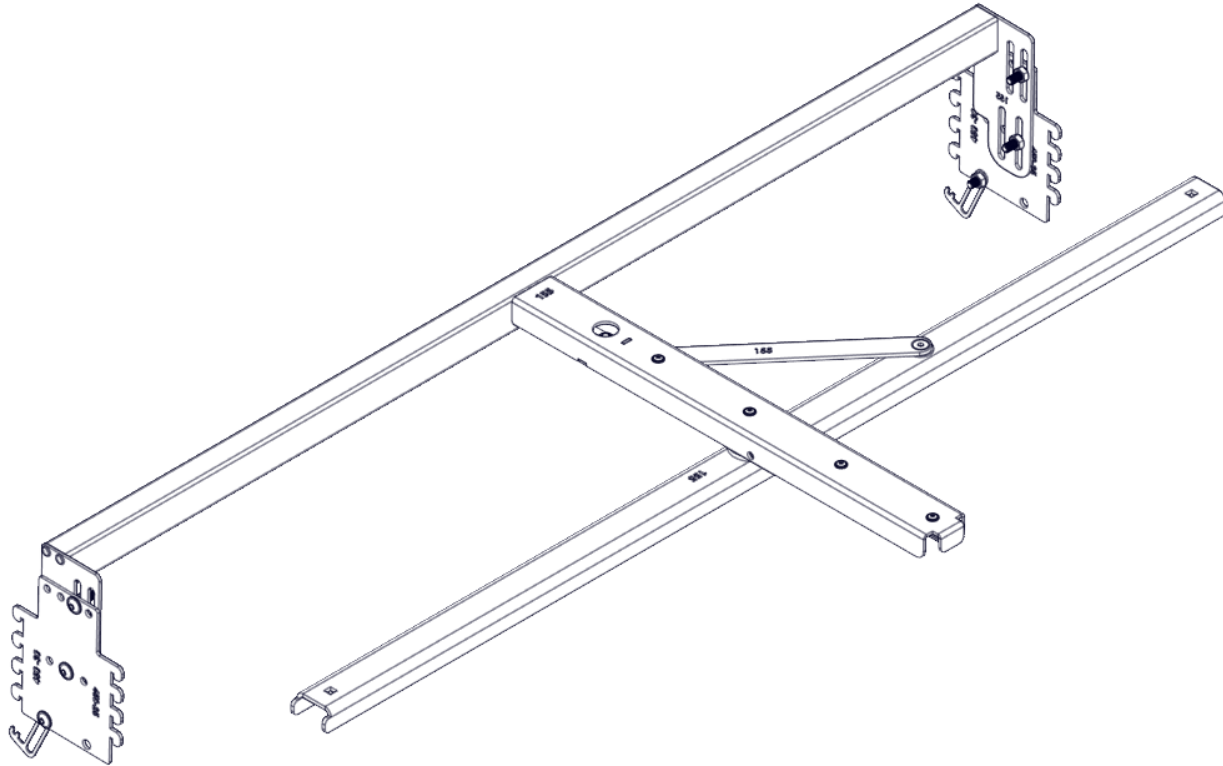


1d

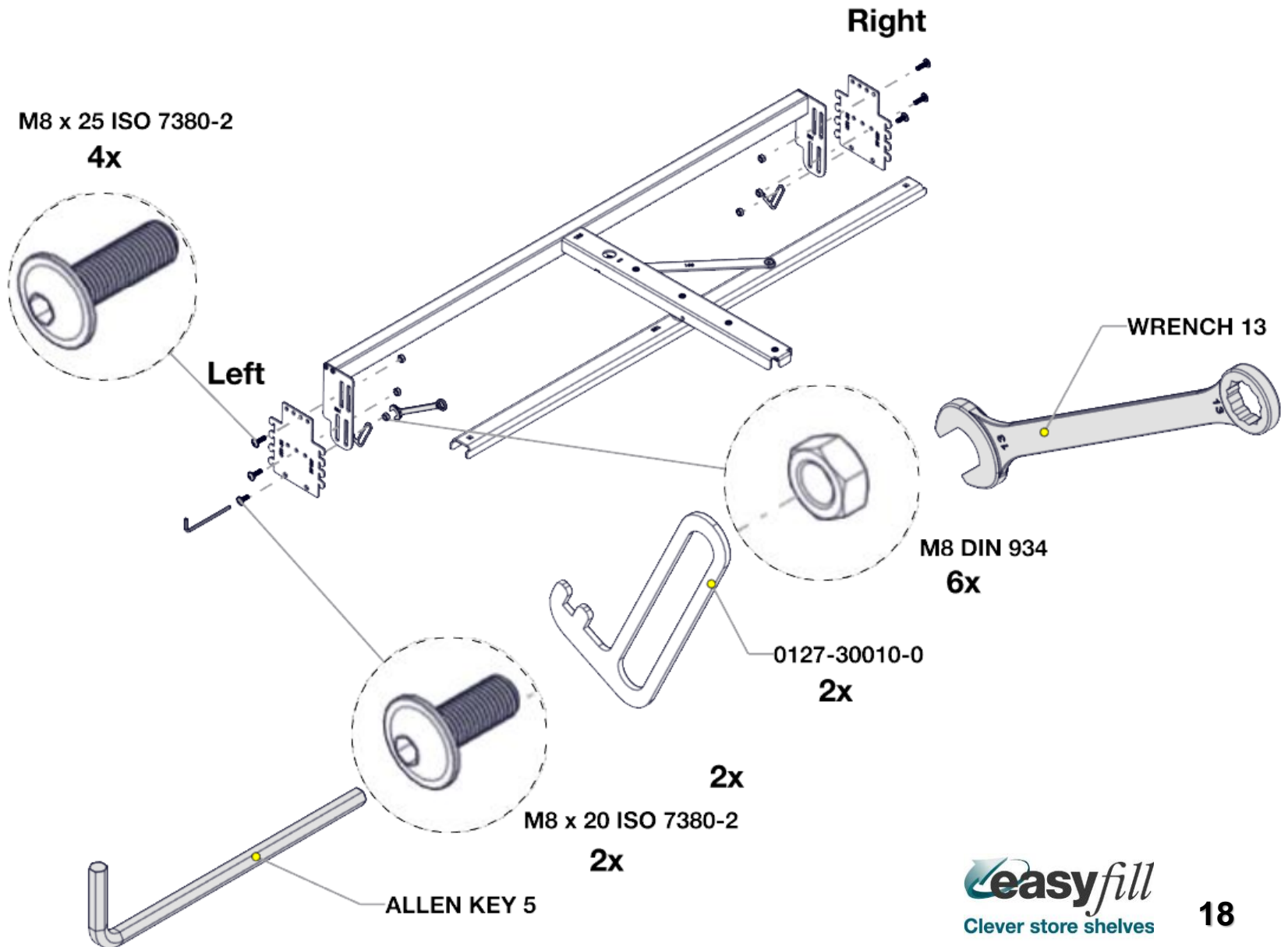




# Installation of top part Art.No. 0155-08350-0 + top brackets

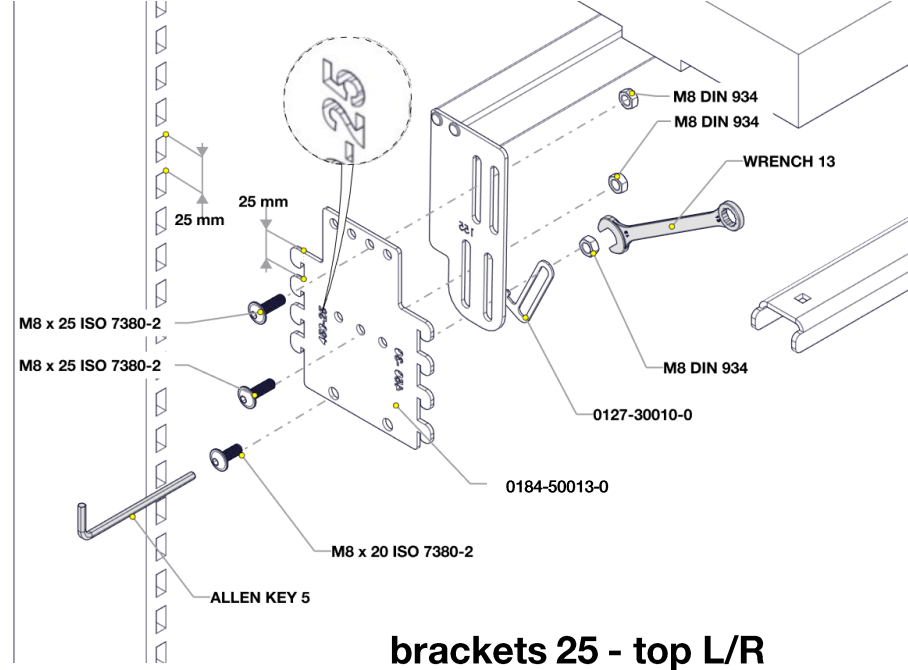
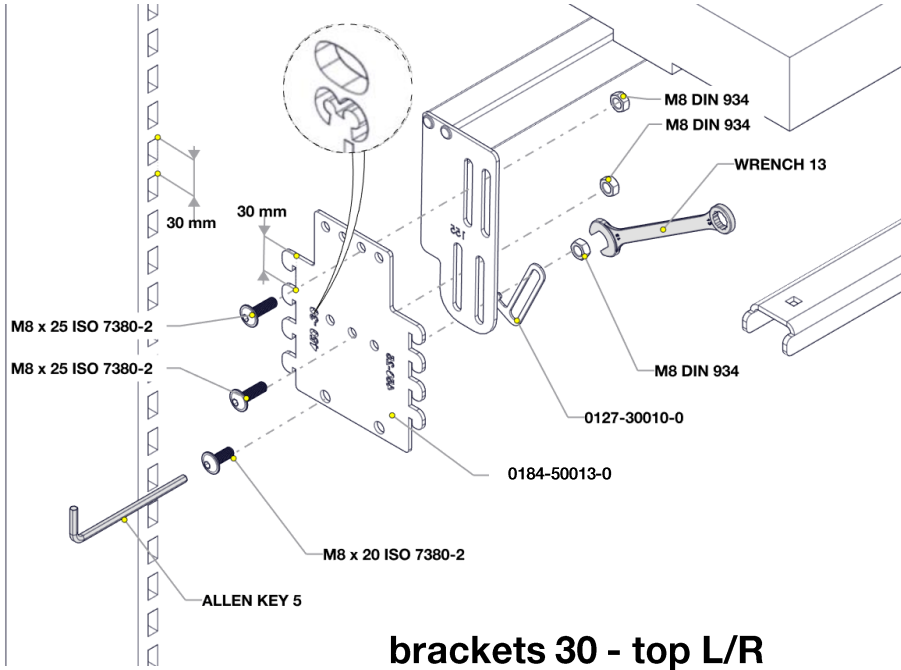


# Installation of top part Art.No. 0155-08350-0 + top brackets

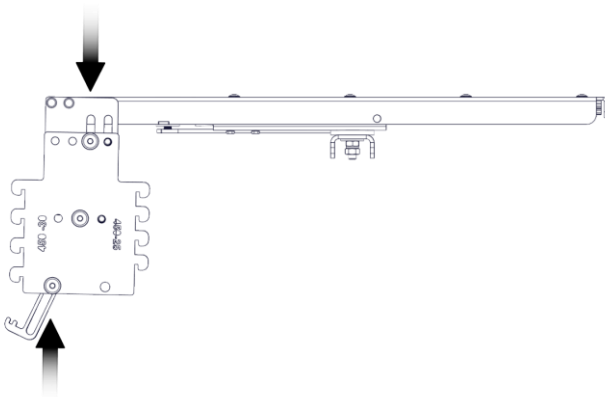


# Installation of top part

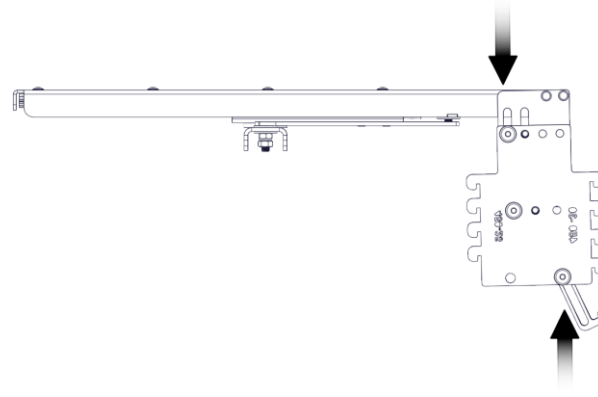
## Art.No. 0155-08350-0 + top brackets



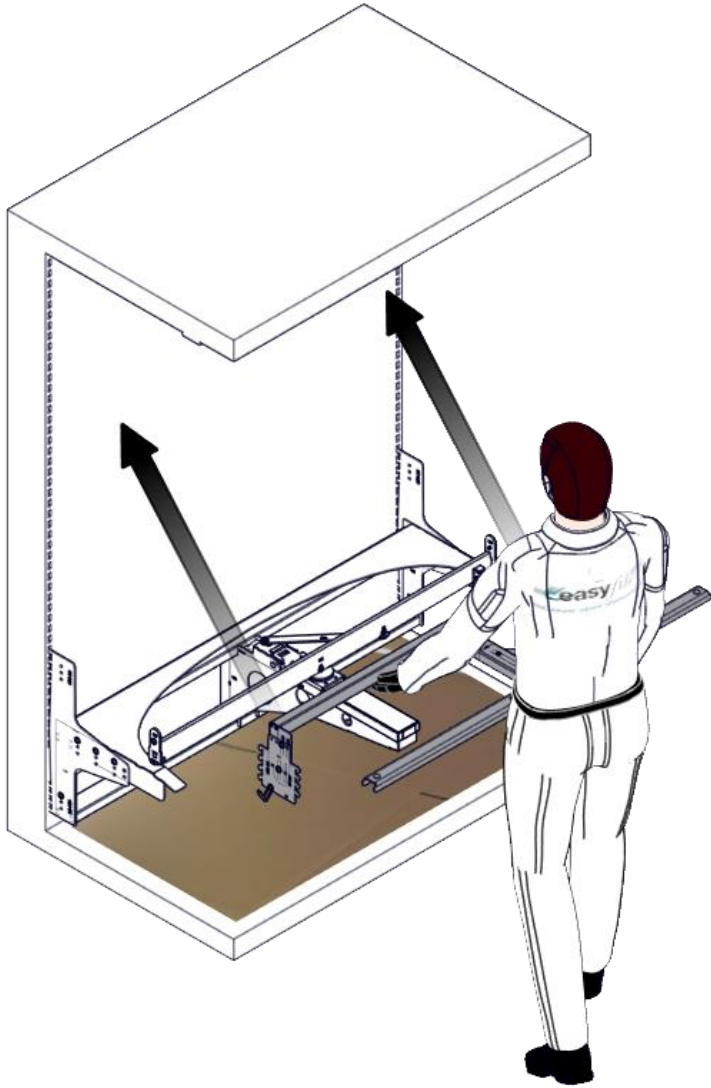
Left



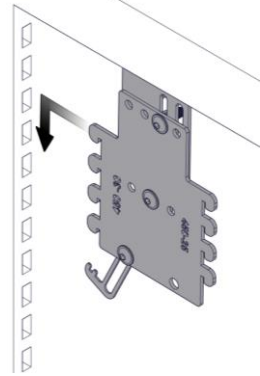
Right



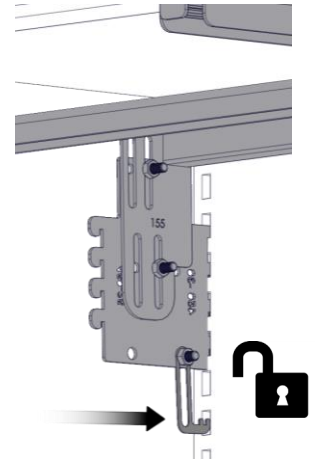
2



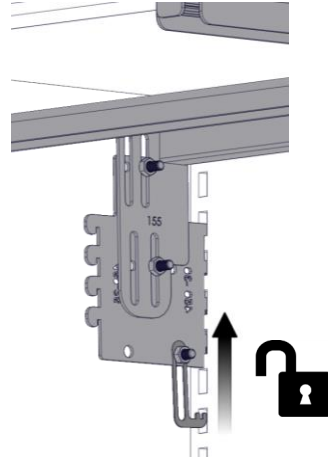
2a



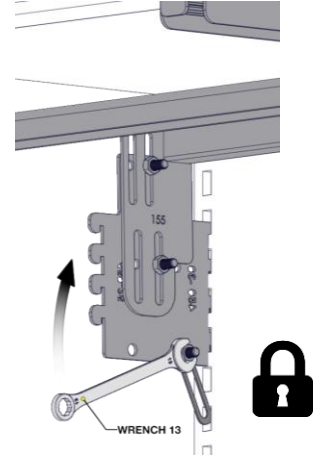
2b



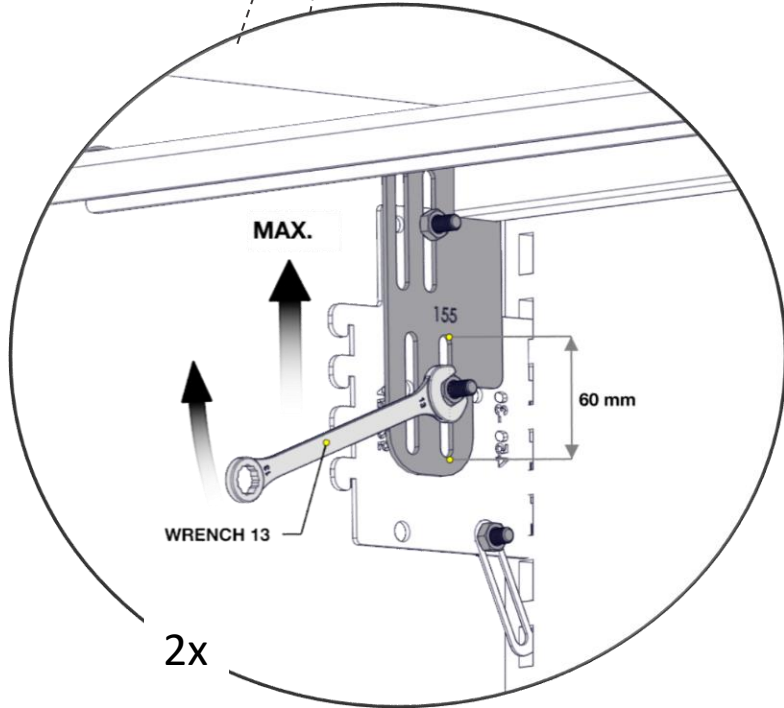
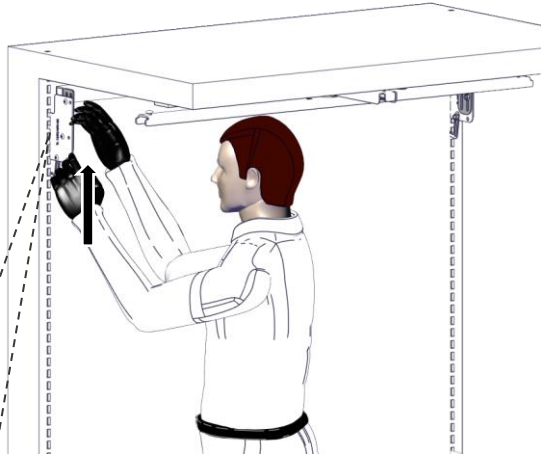
2c



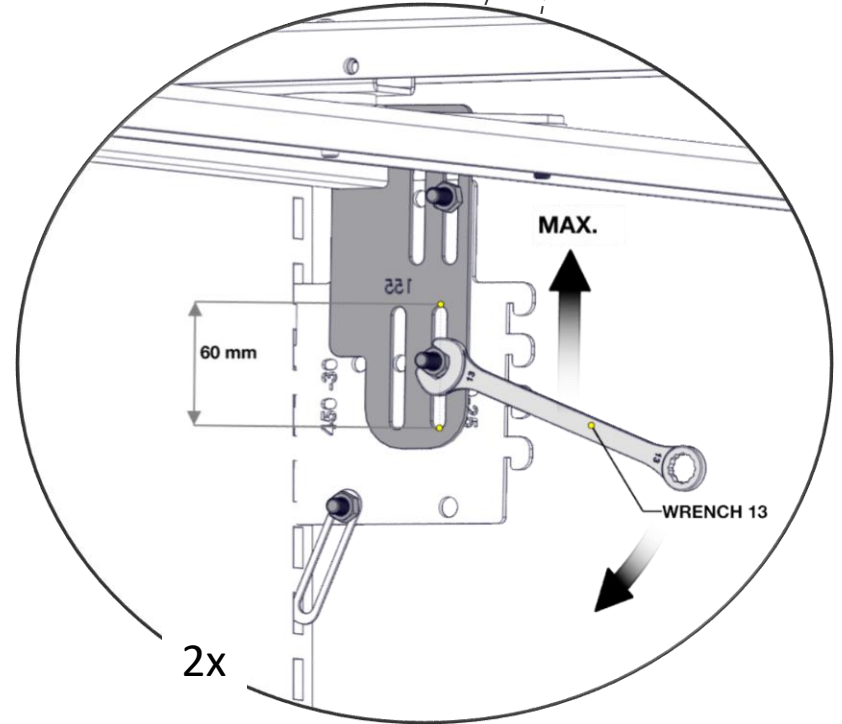
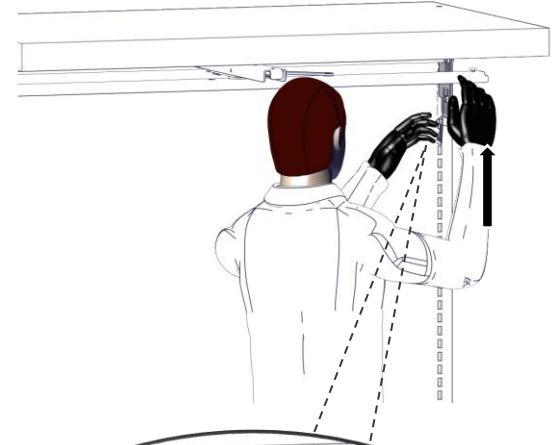
2d



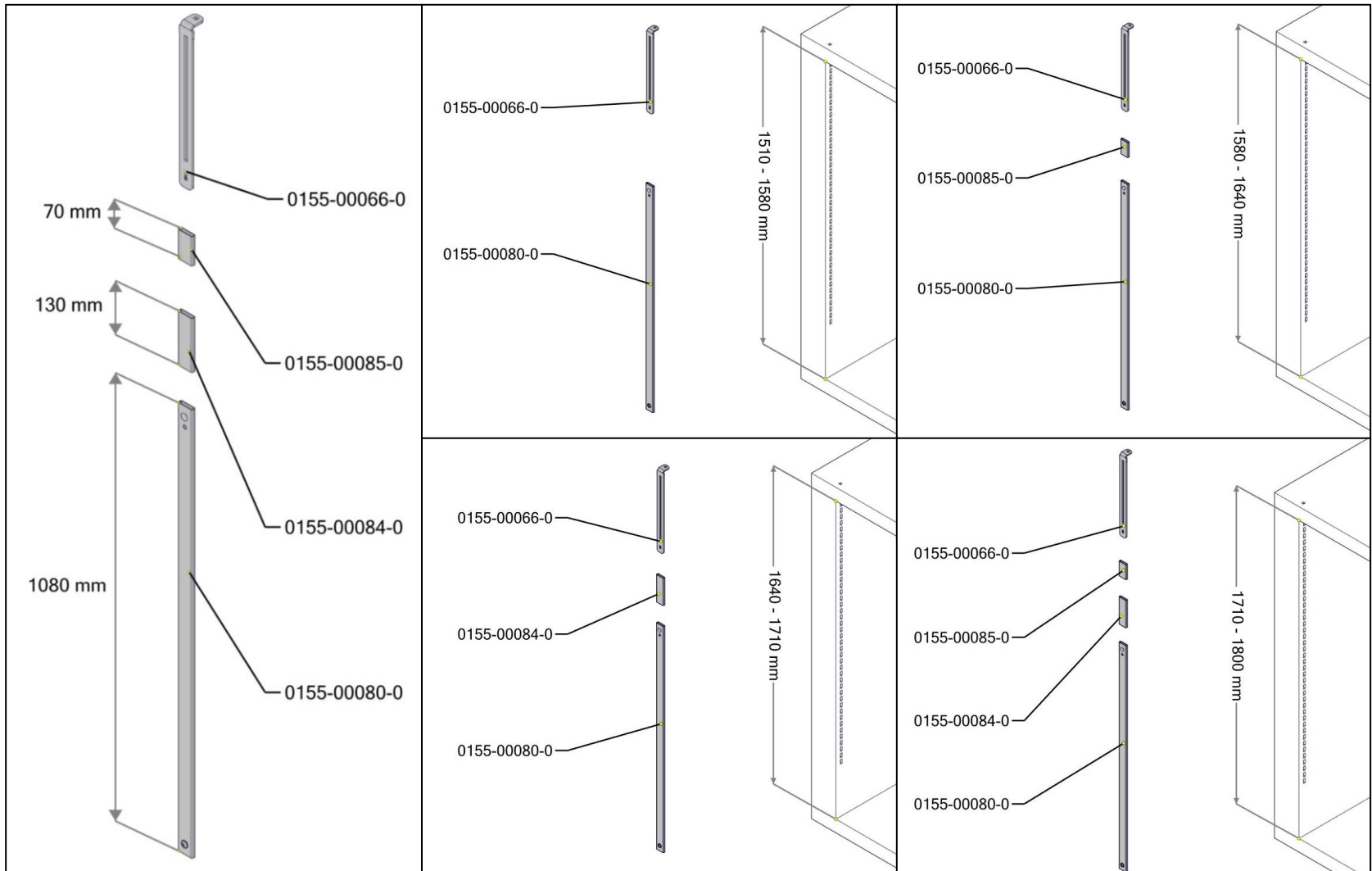
3



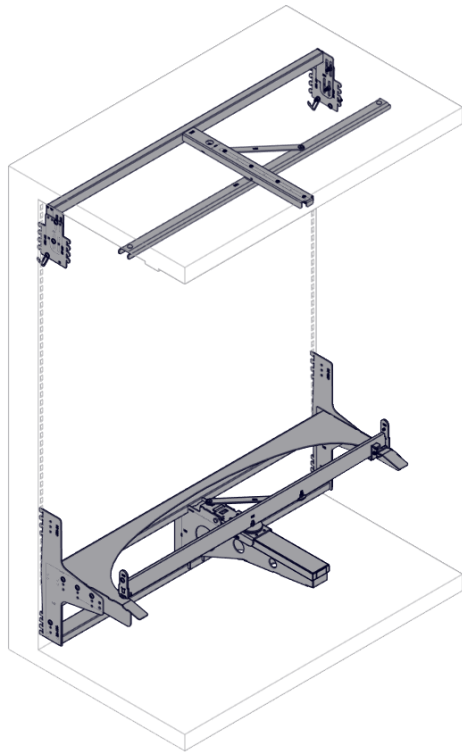
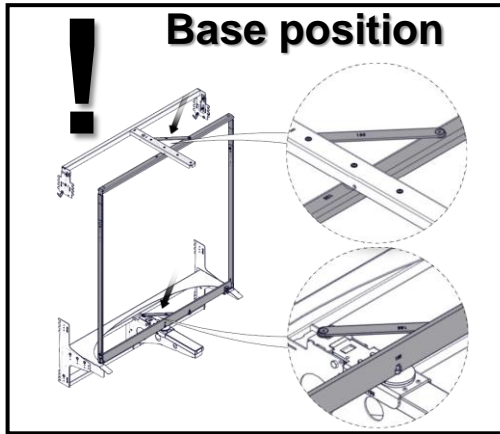
4



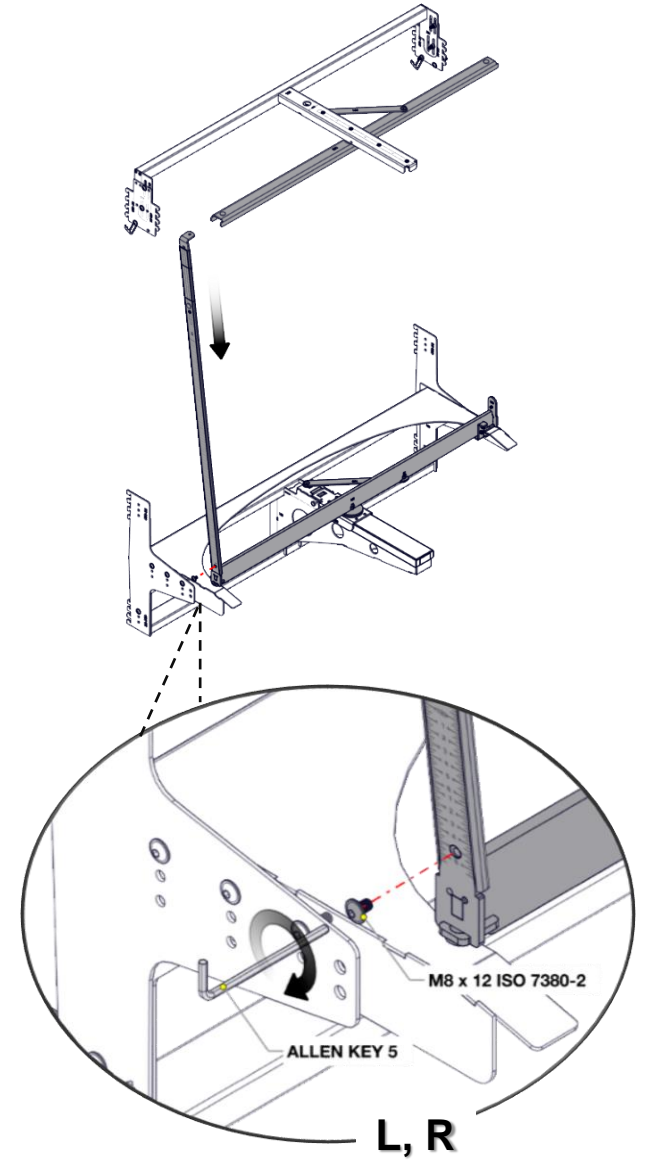
# Adjustable frame – 0155-08500-0



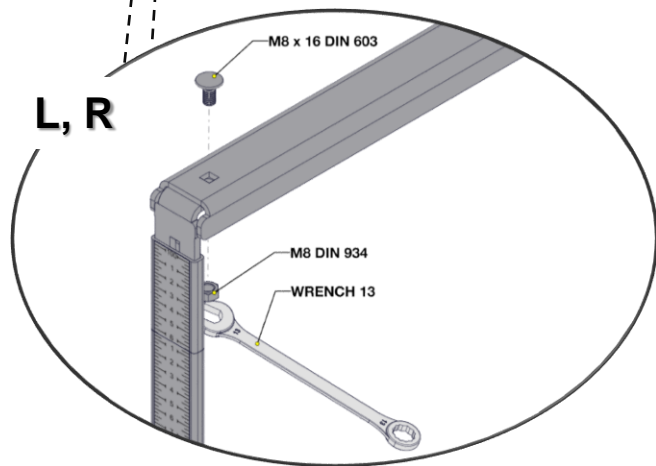
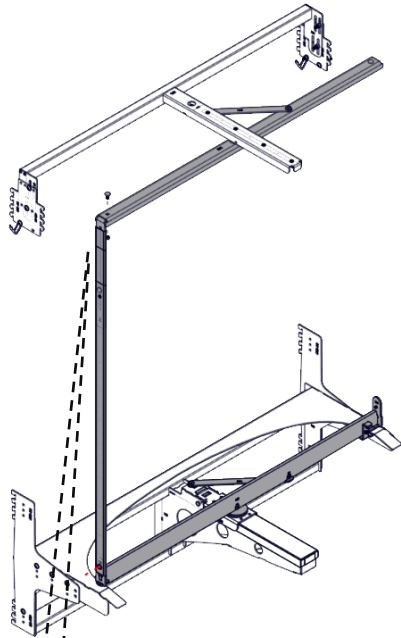
5



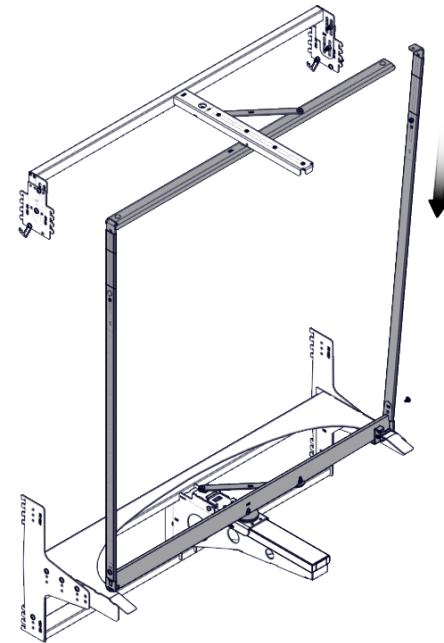
6



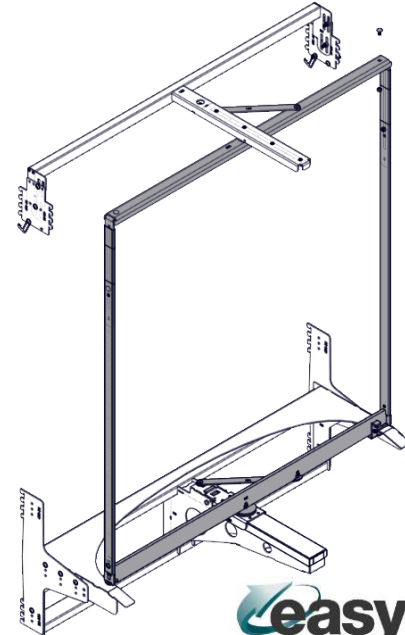
7



8

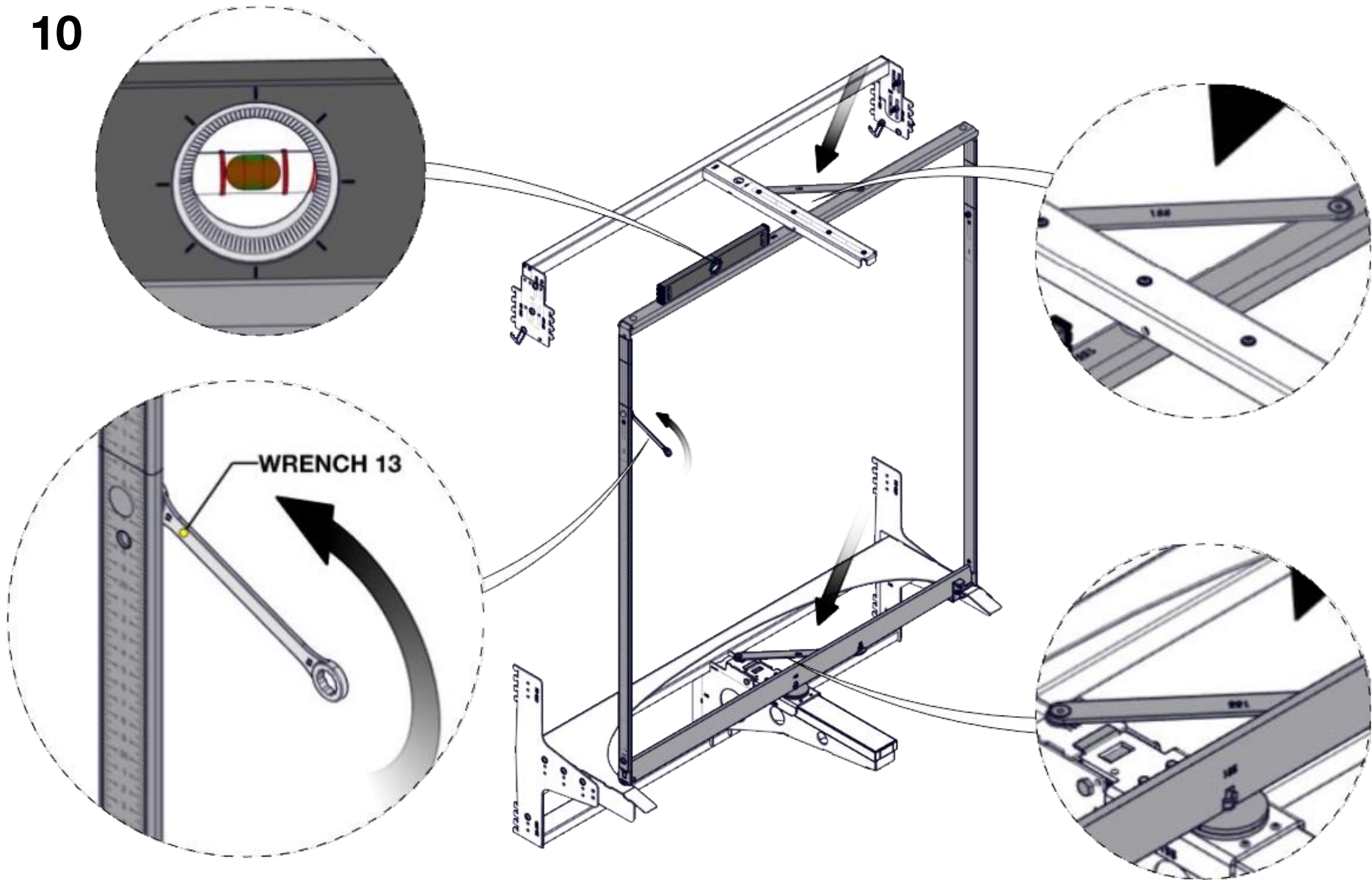


9

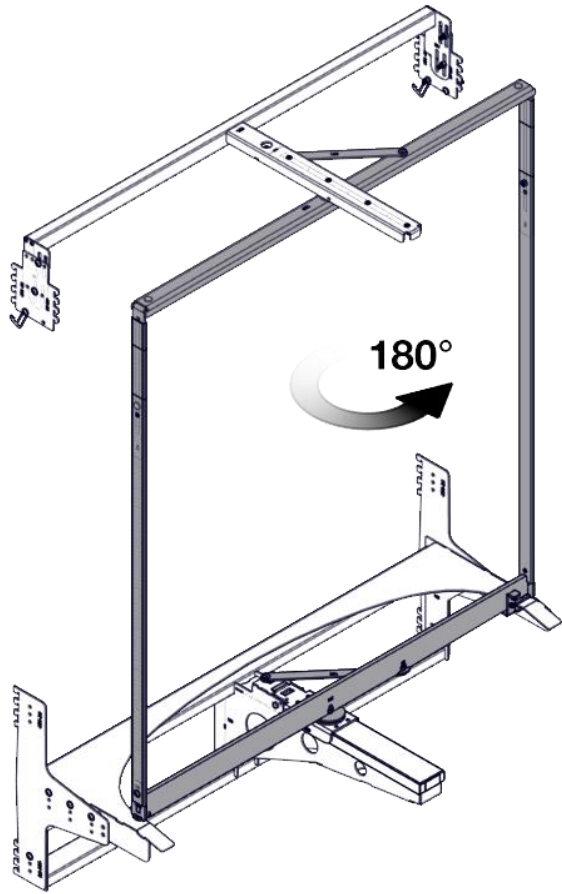




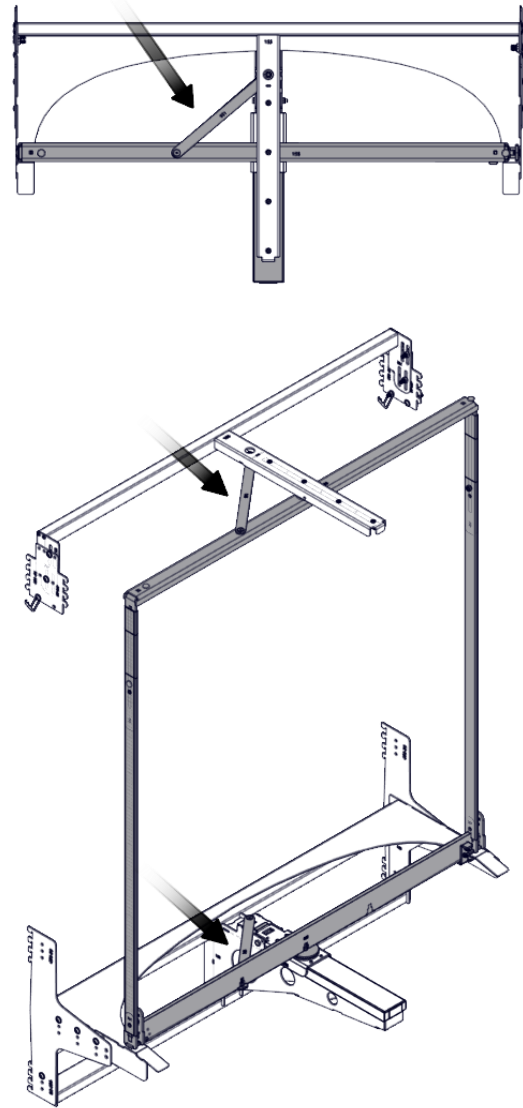
10

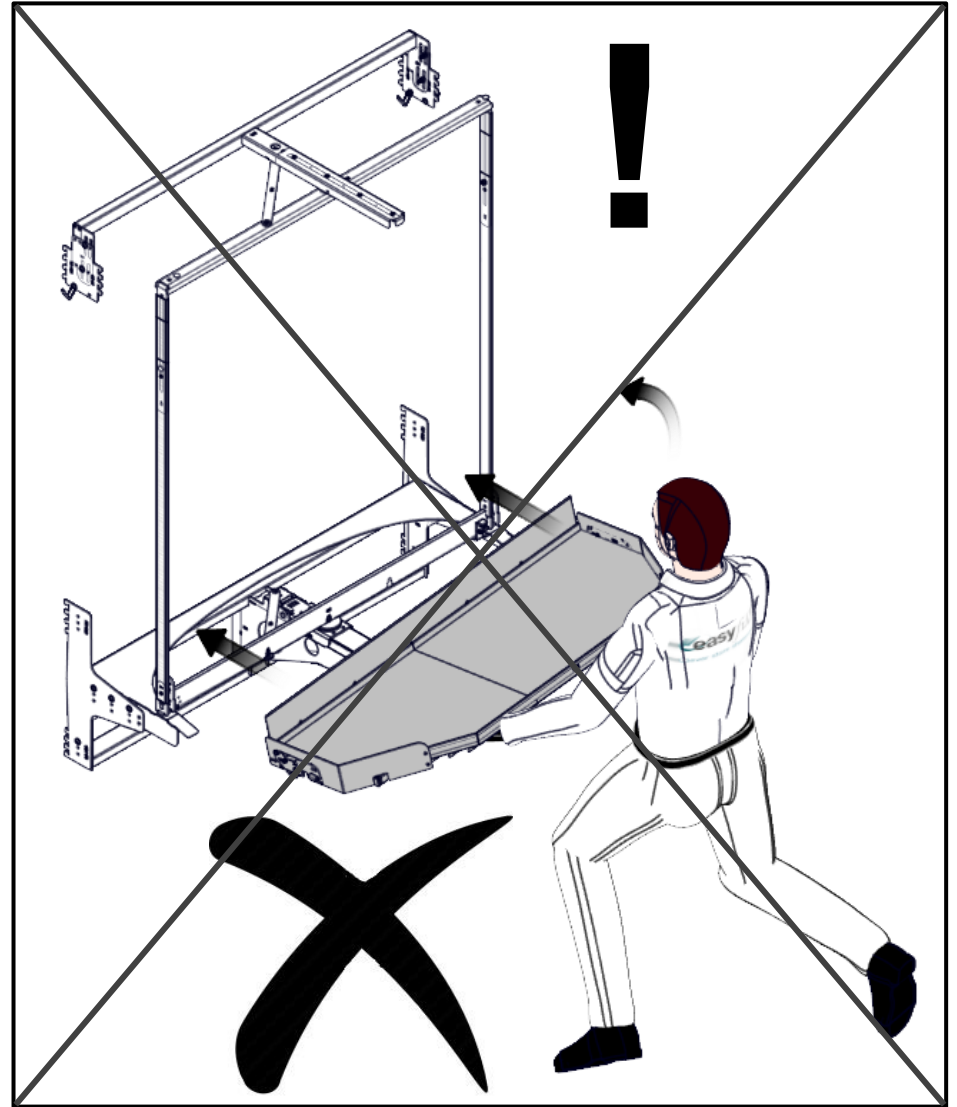
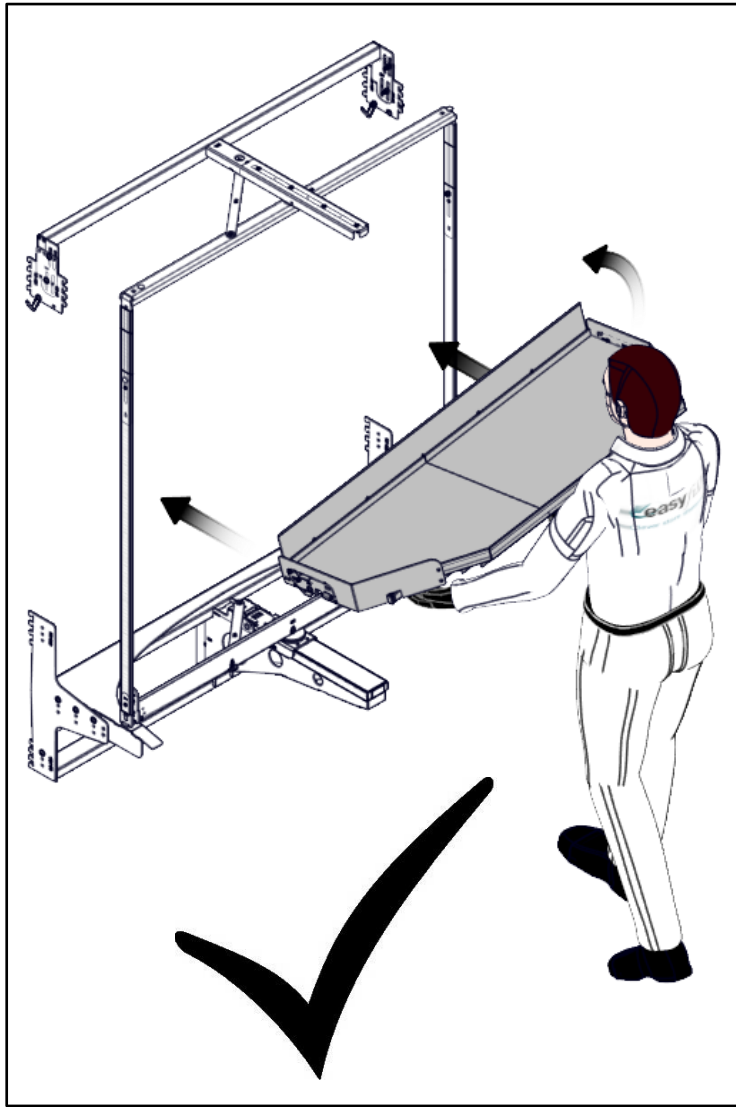


11

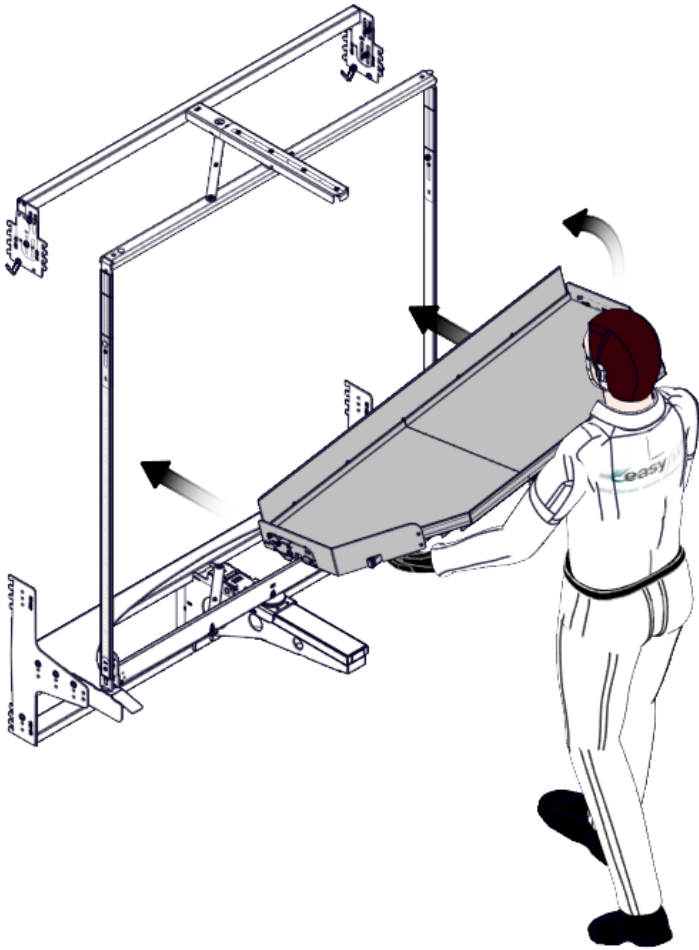


12

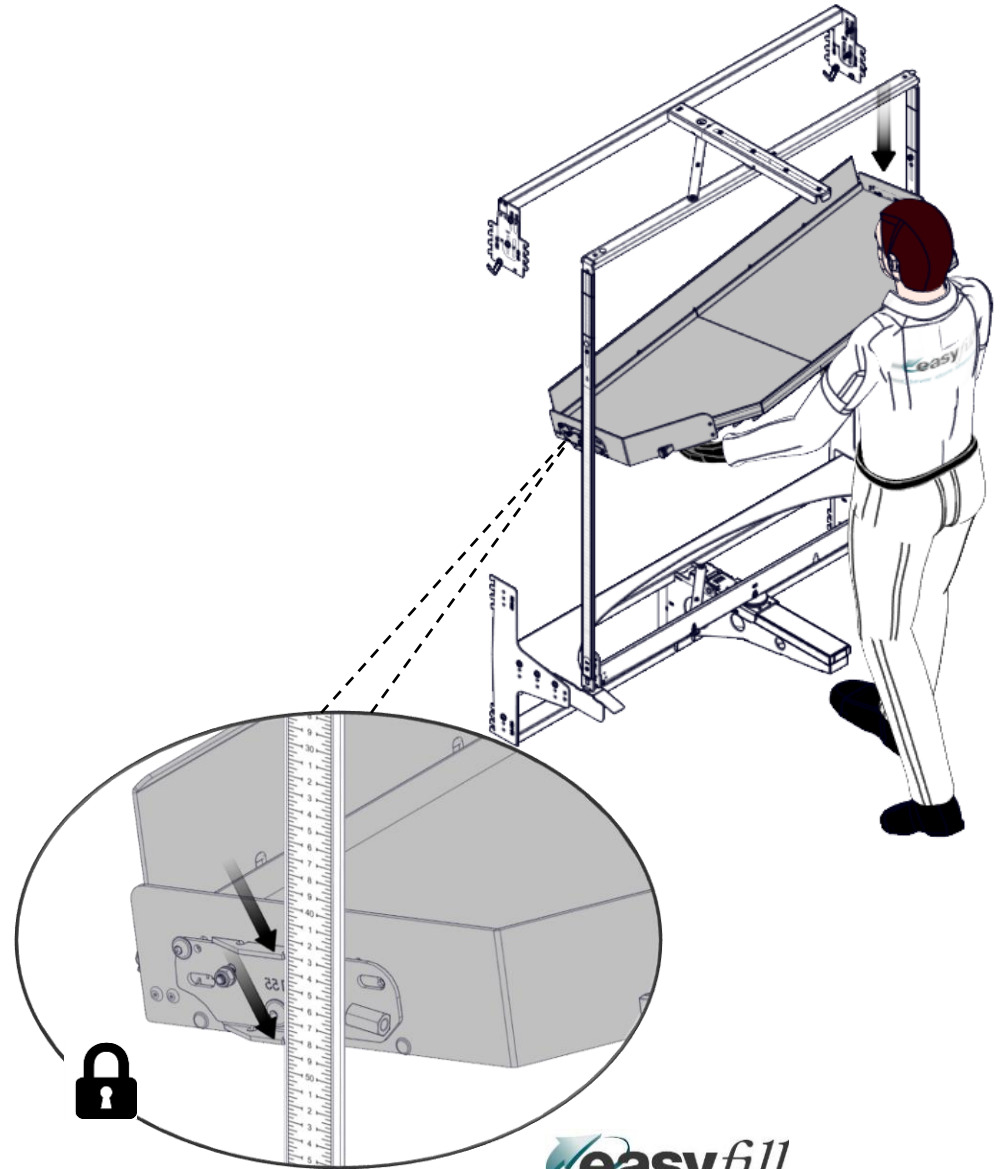




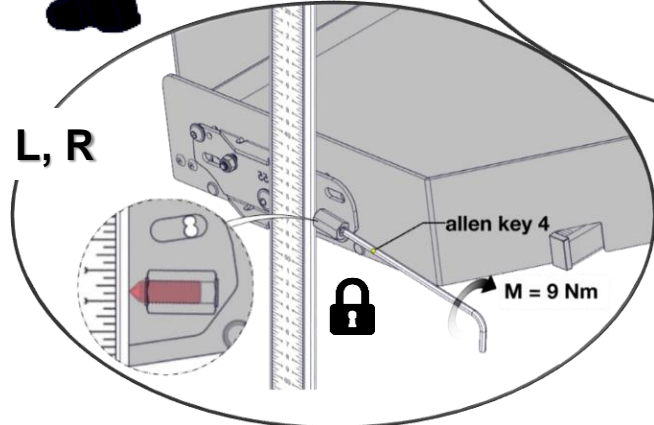
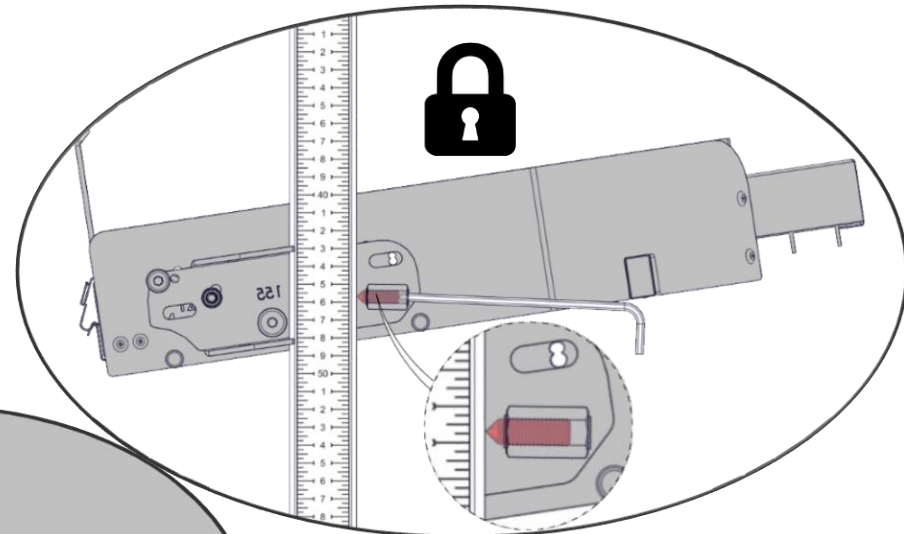
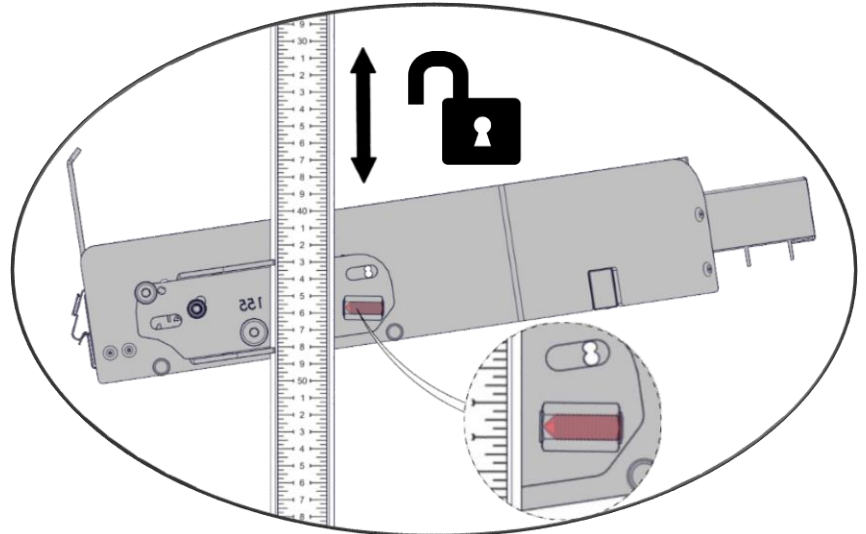
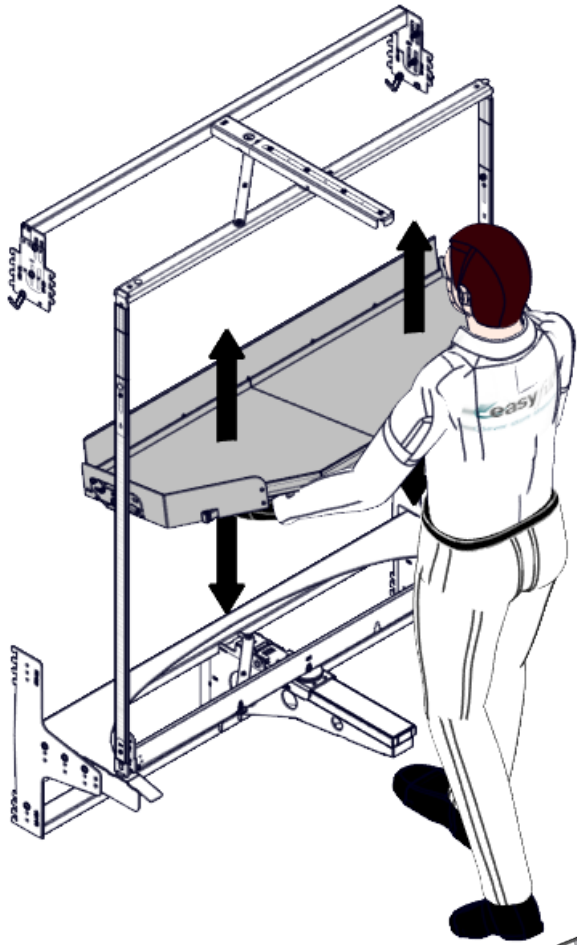
13



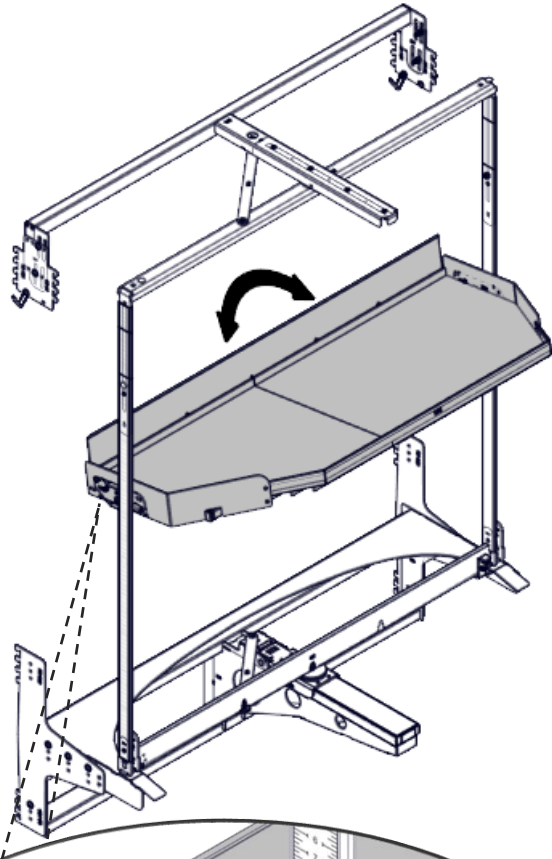
14



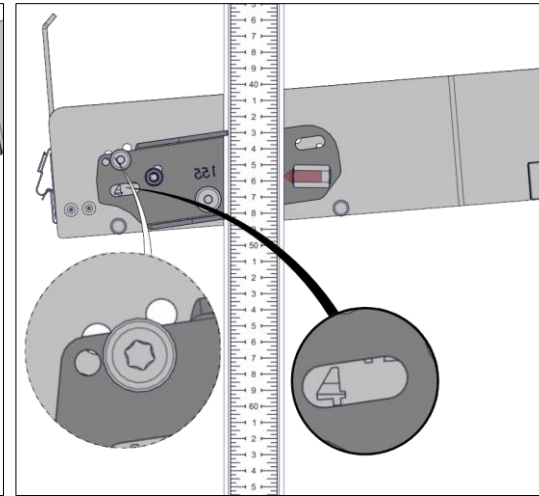
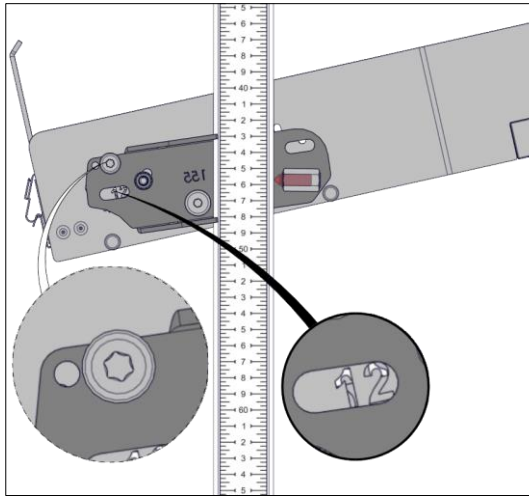
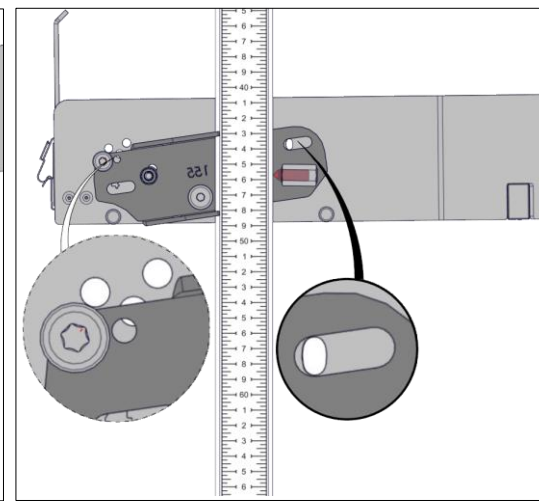
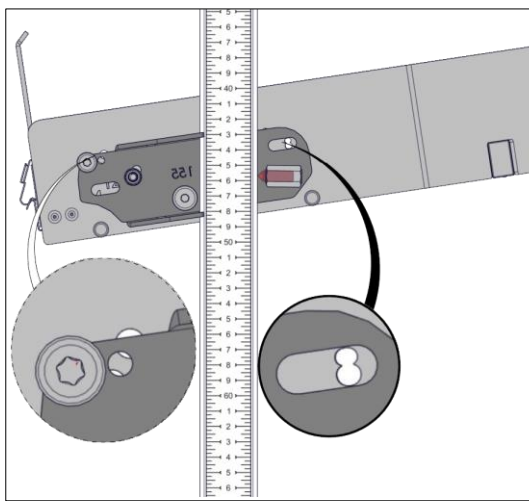
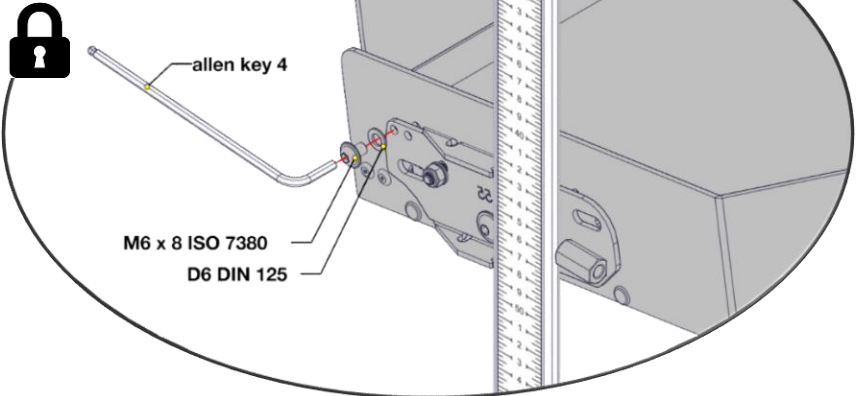
15

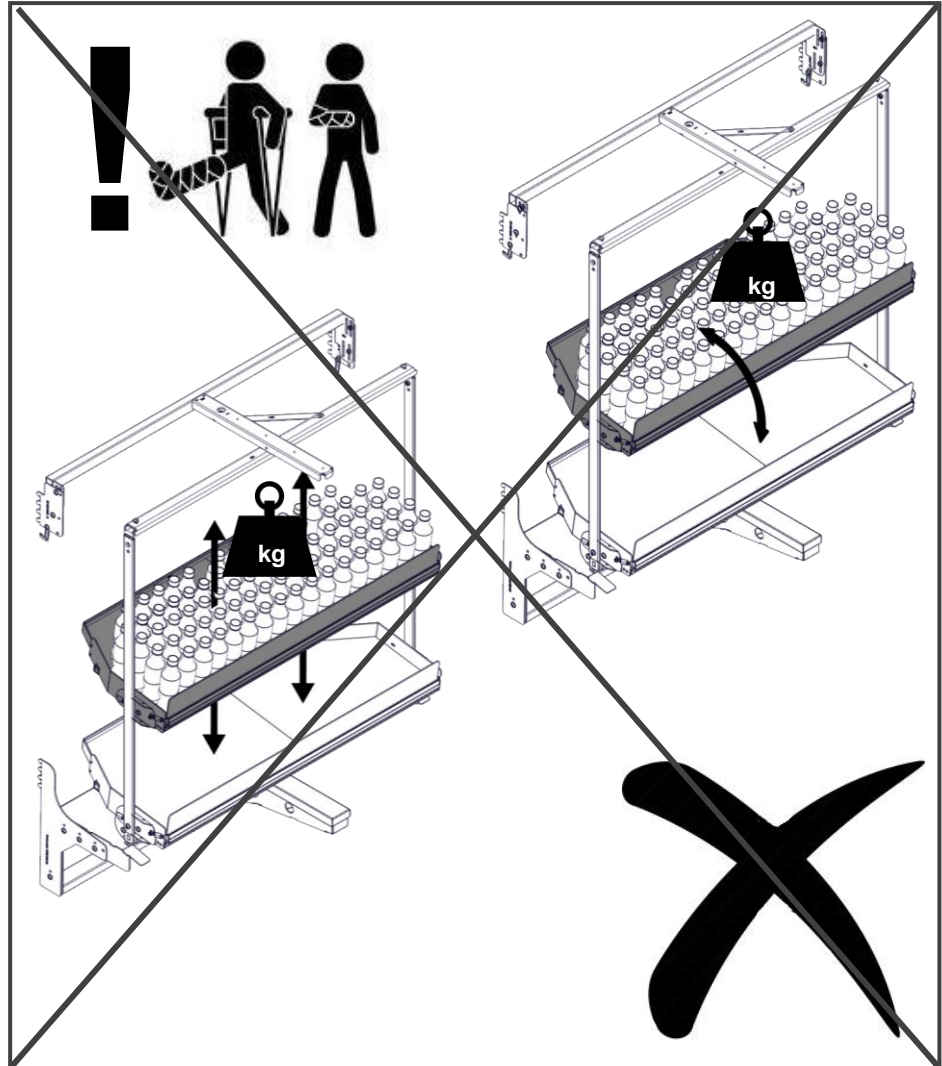
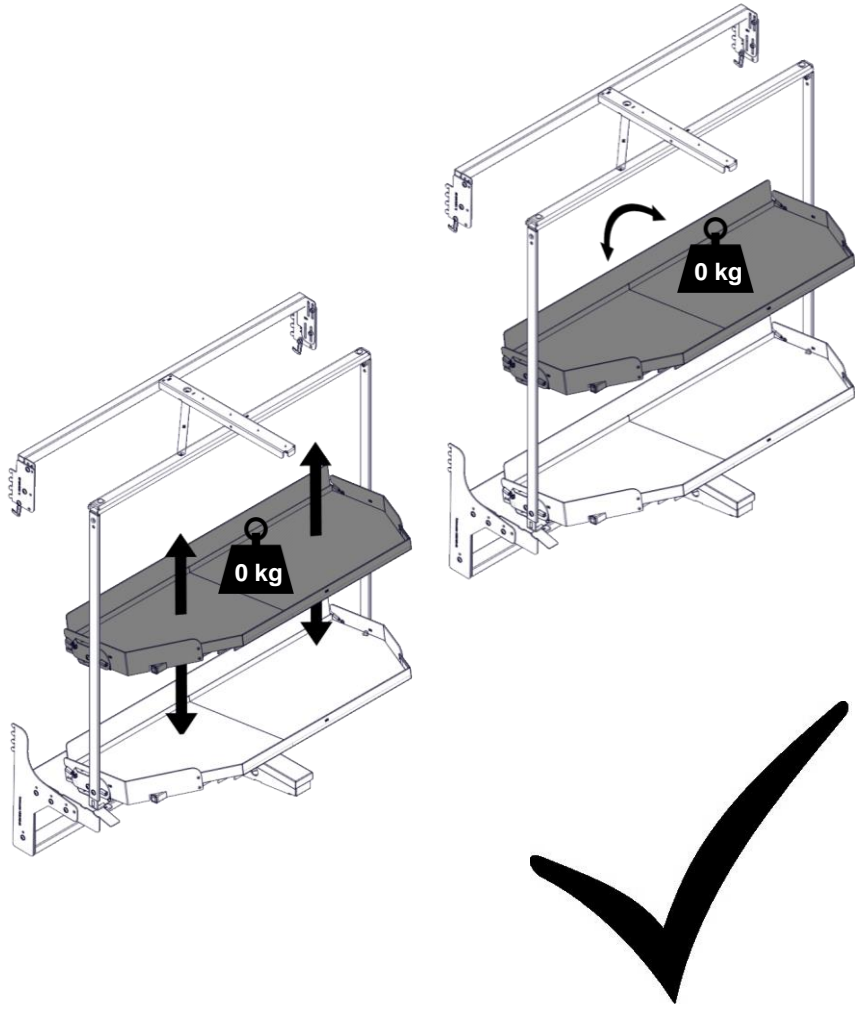


16

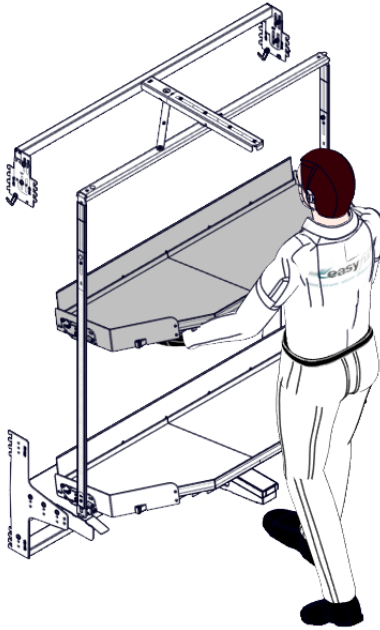


L, R

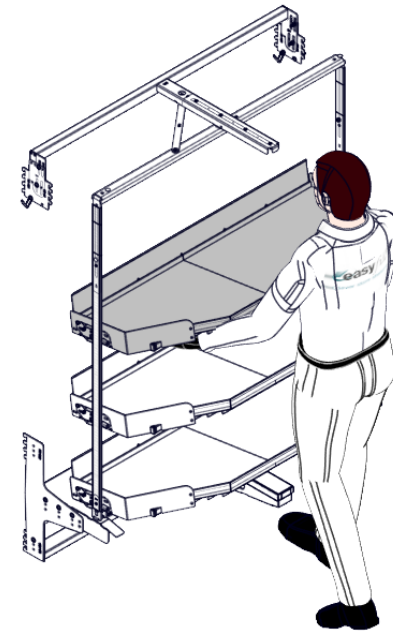




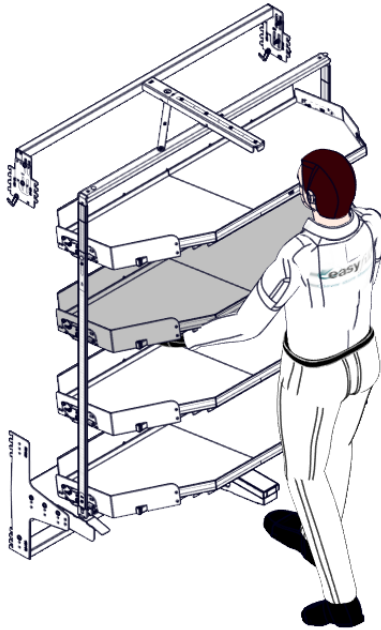
18



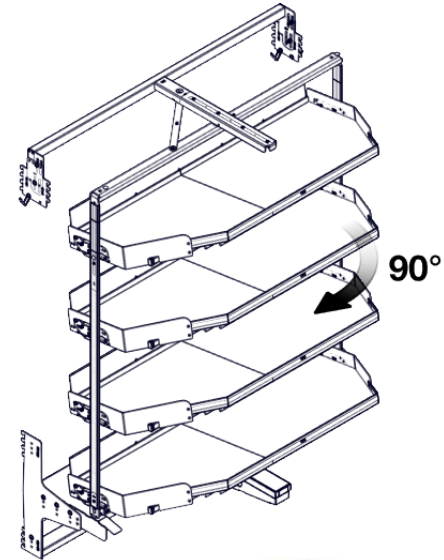
19



20

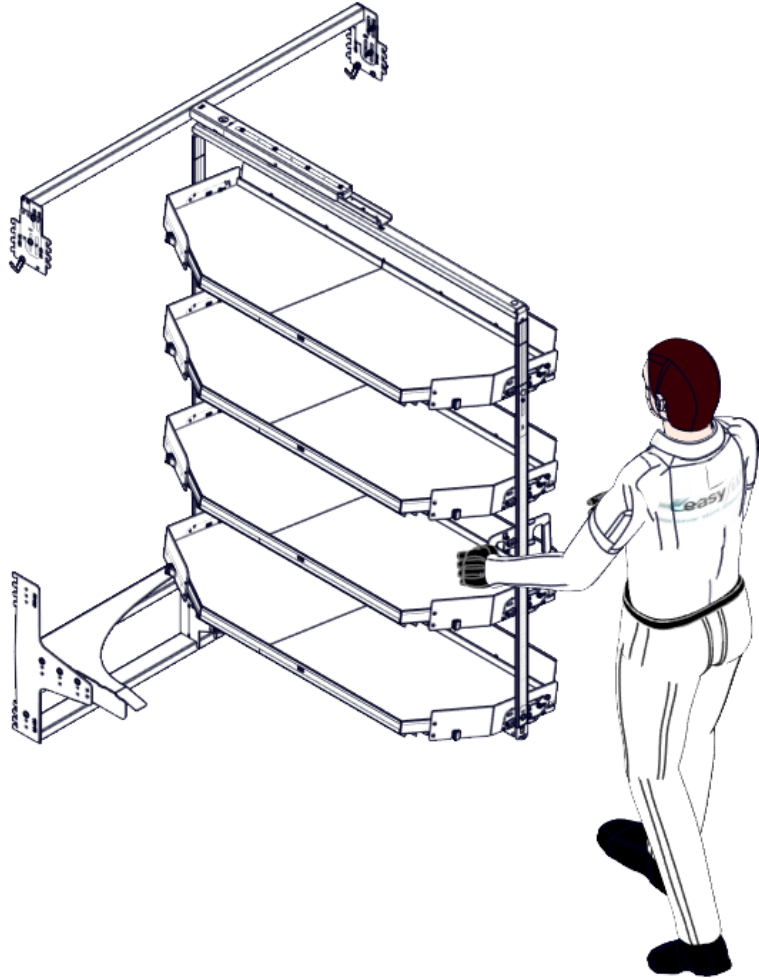


21

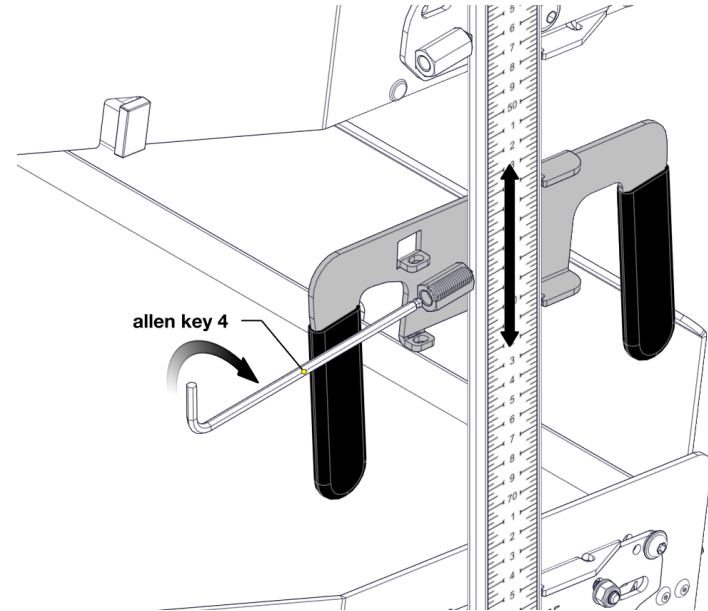




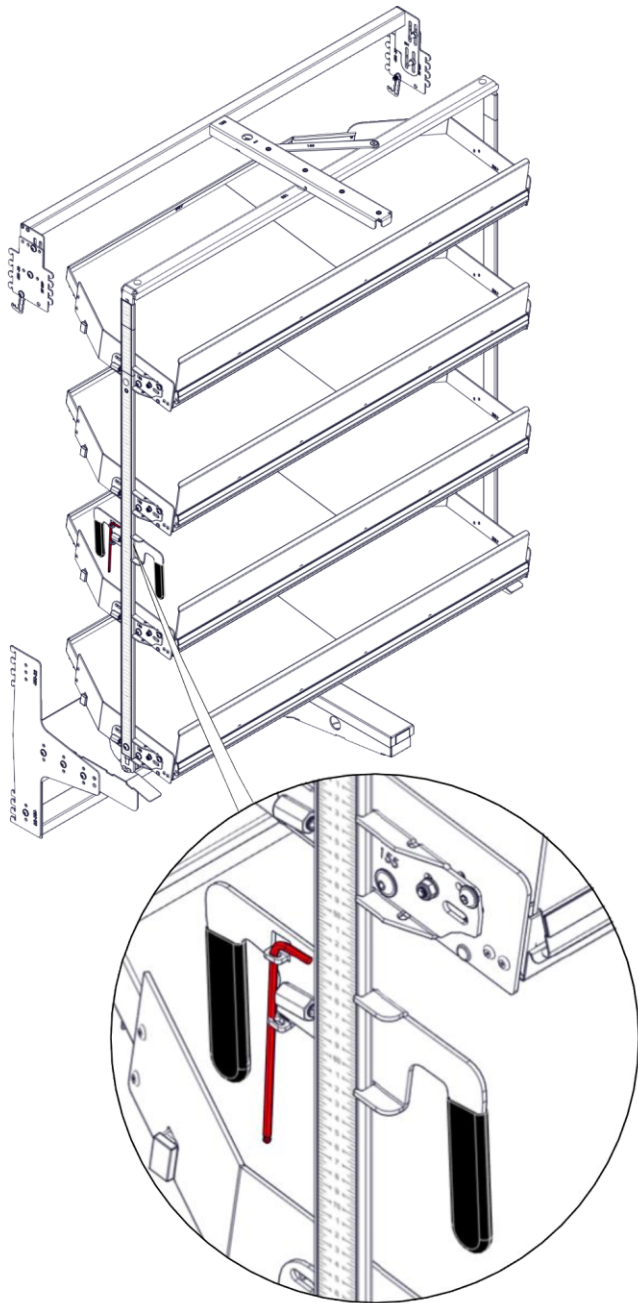
22



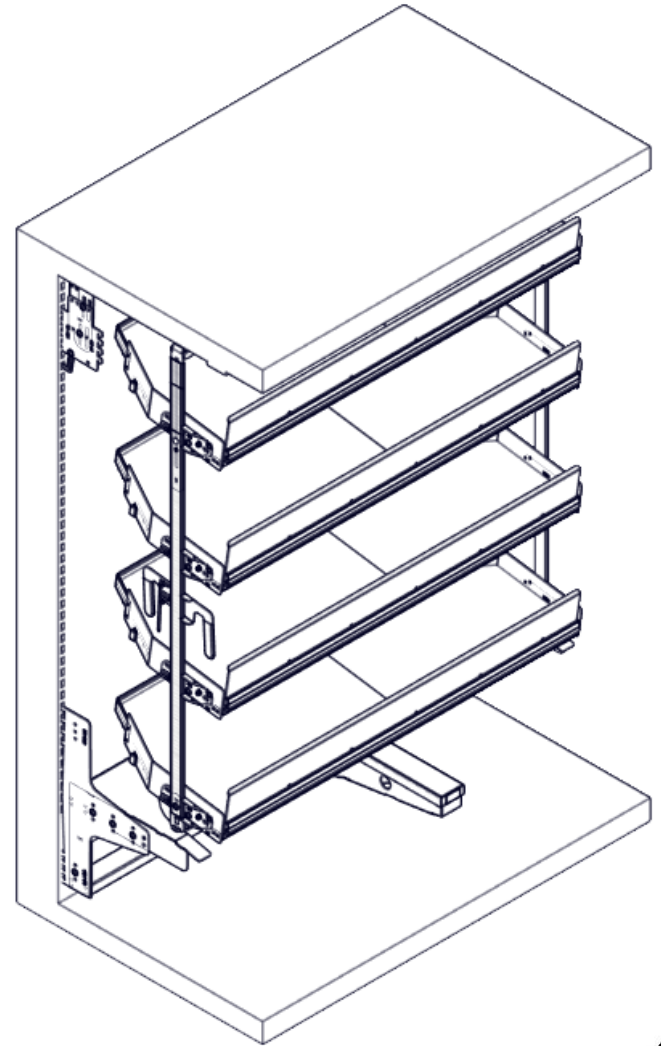
23



24



25

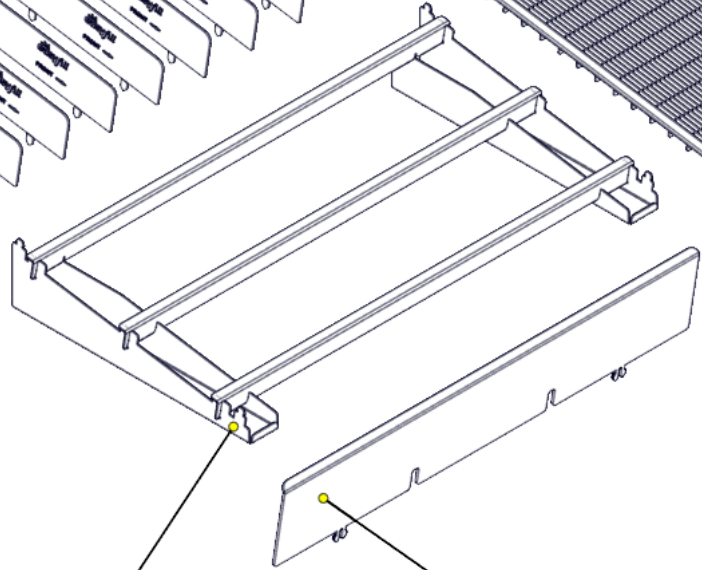
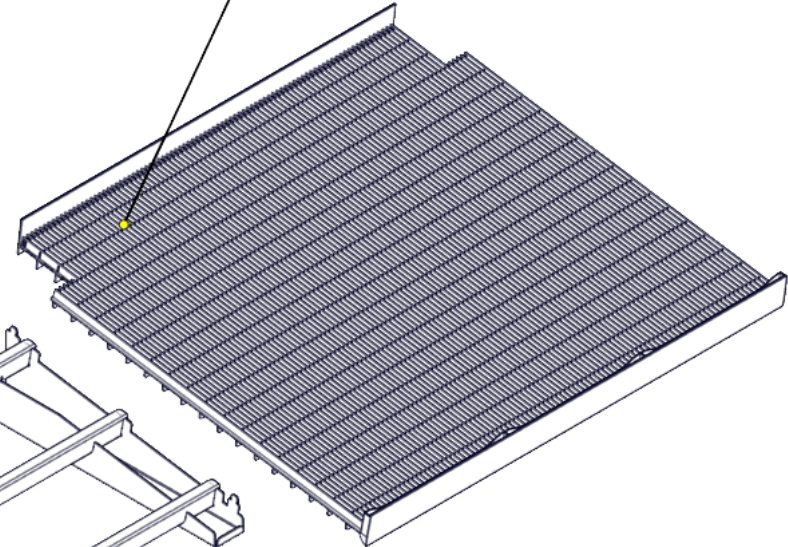
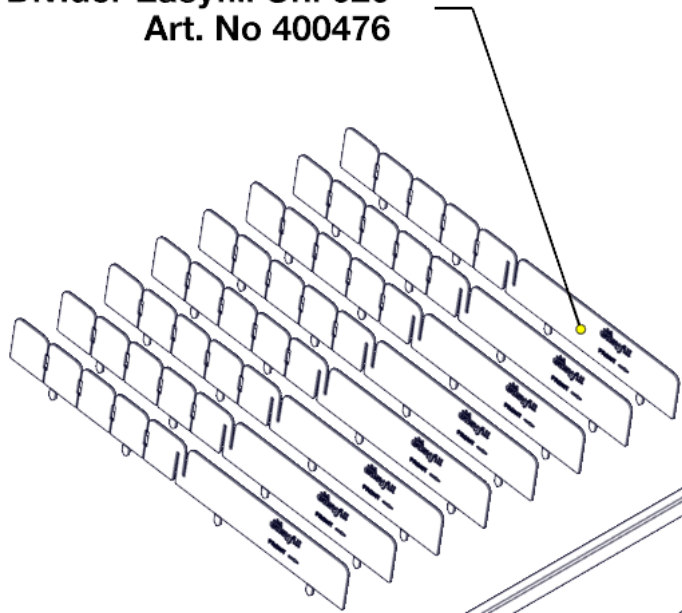


# EXTRA SET Art.No. 100516

## Art. No. 0155-44000-0 (2x)

Divider Easyfill Uni 620  
Art. No 400476

Plastic Part of Bottom Shelf  
Art. No 0155-440001-0

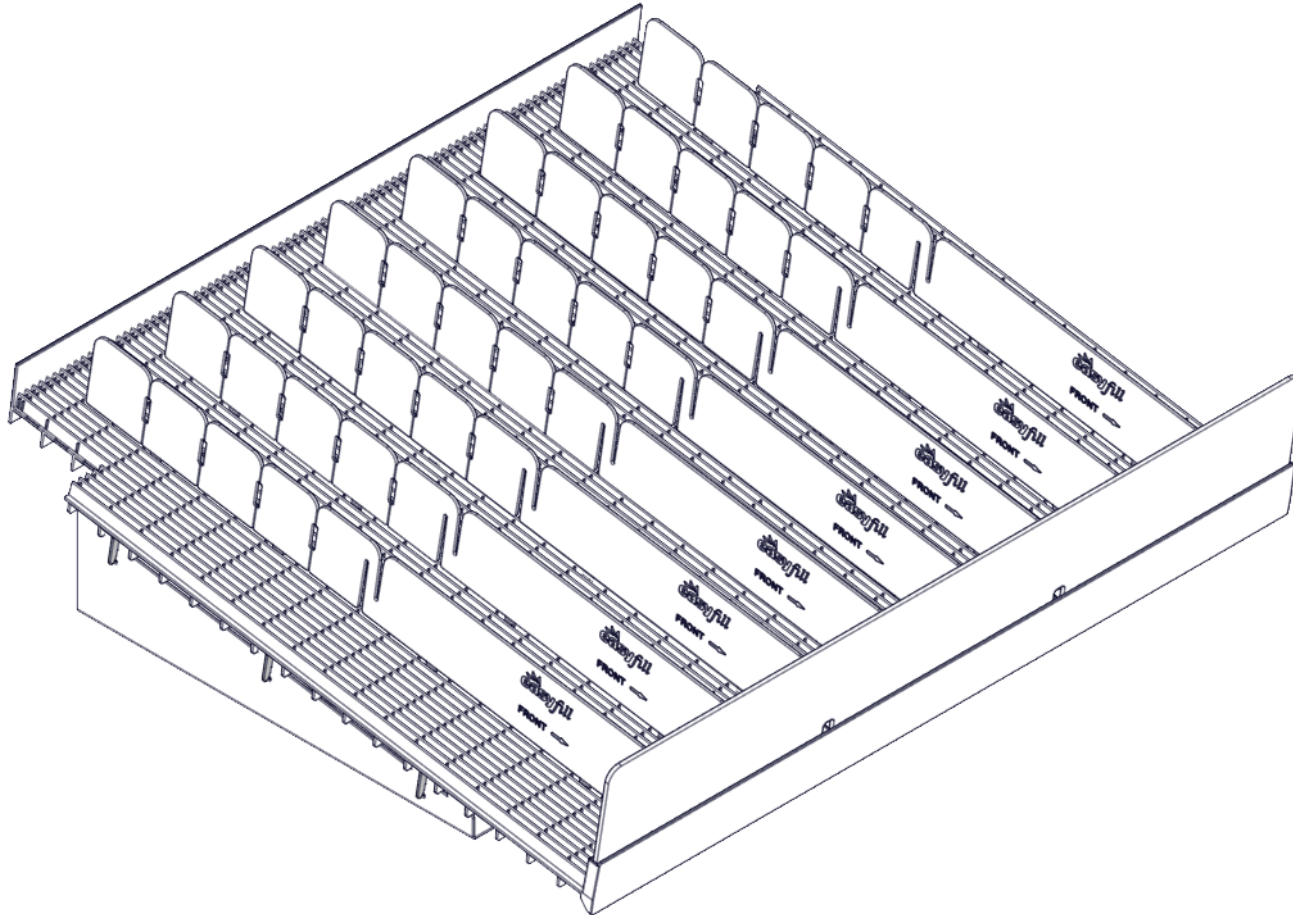


Bottom Shelf  
Art. No 0155-44100-0

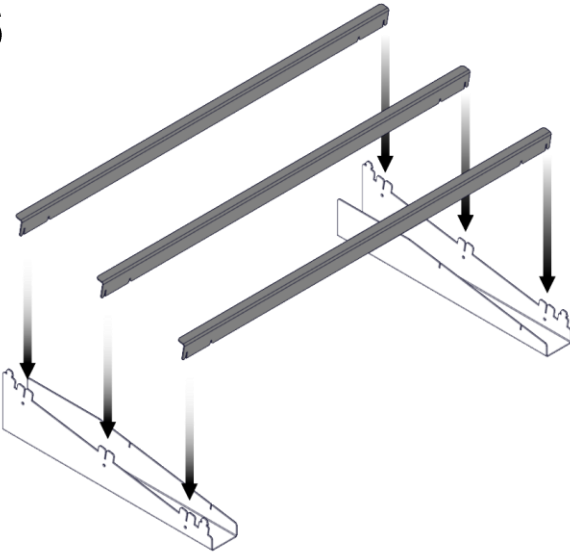
Frontstopper UNI 620 Heigh H 113 mm  
Art. No 0620-00113

# Installation of bottom shelf

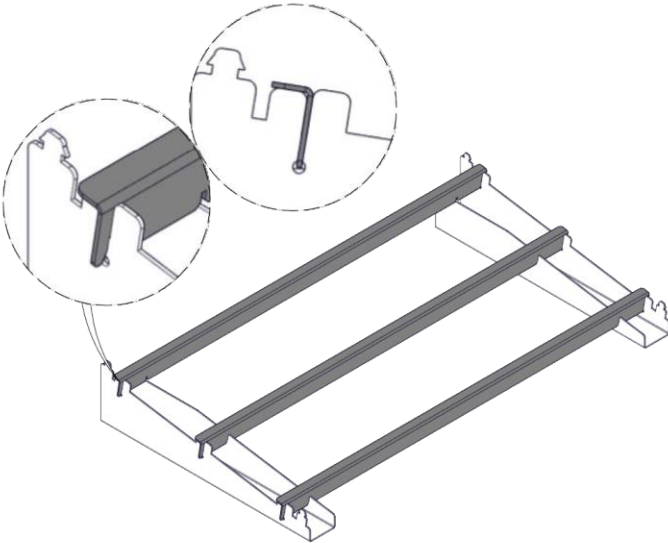
## Art.No. 0155-44000-0 (2x)



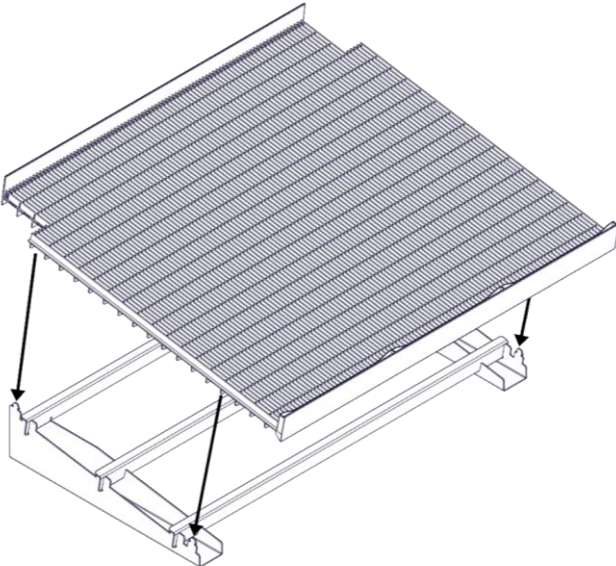
26



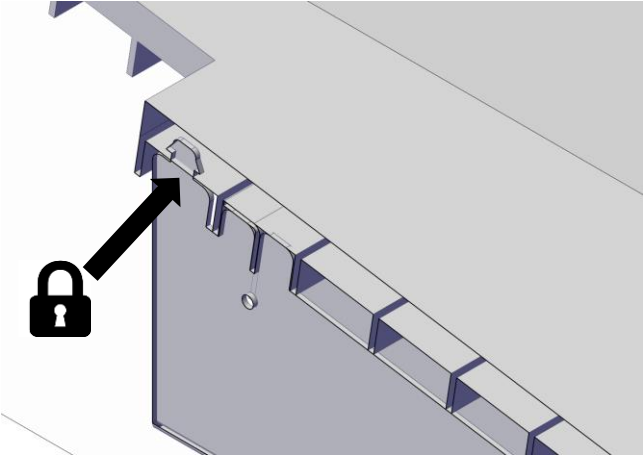
27



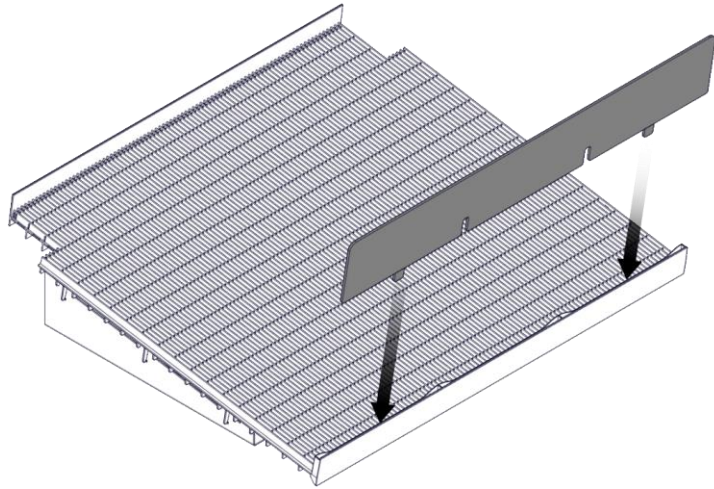
28



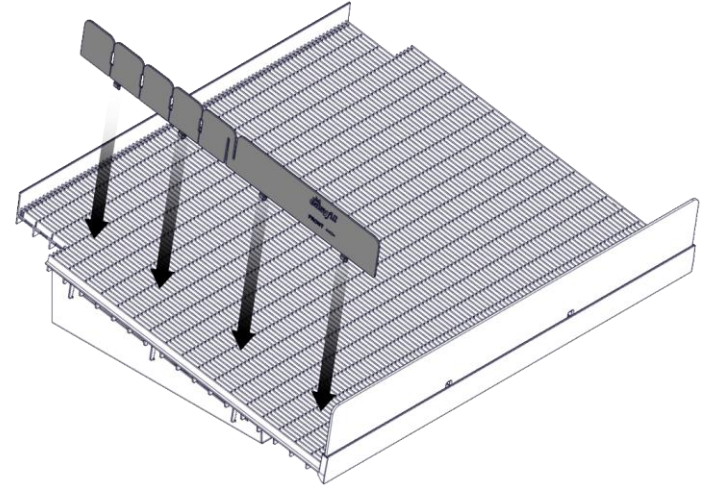
29



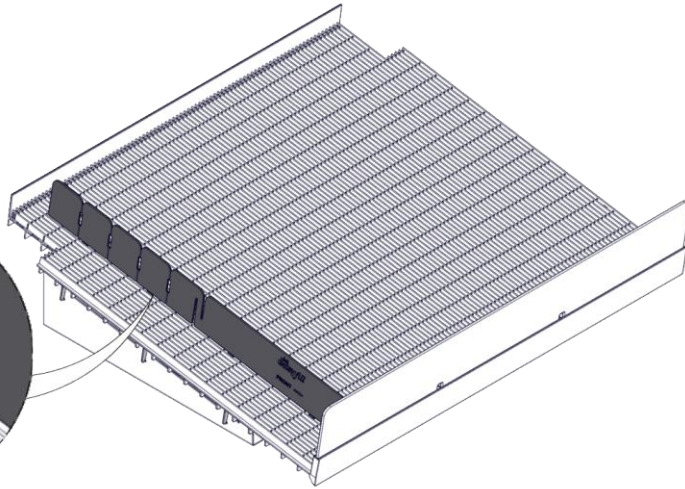
30



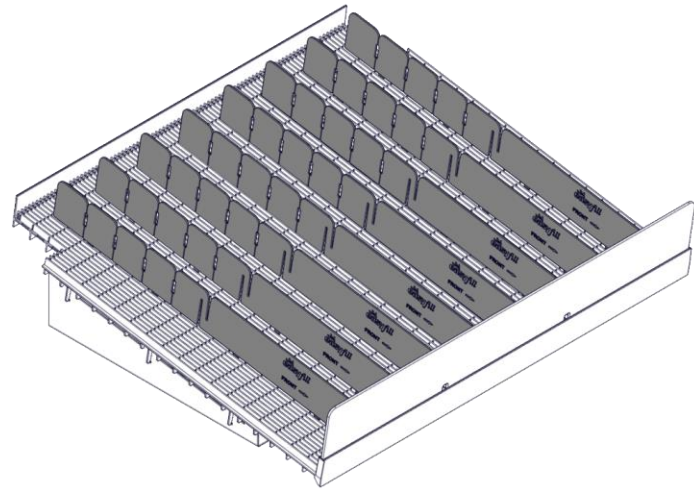
31



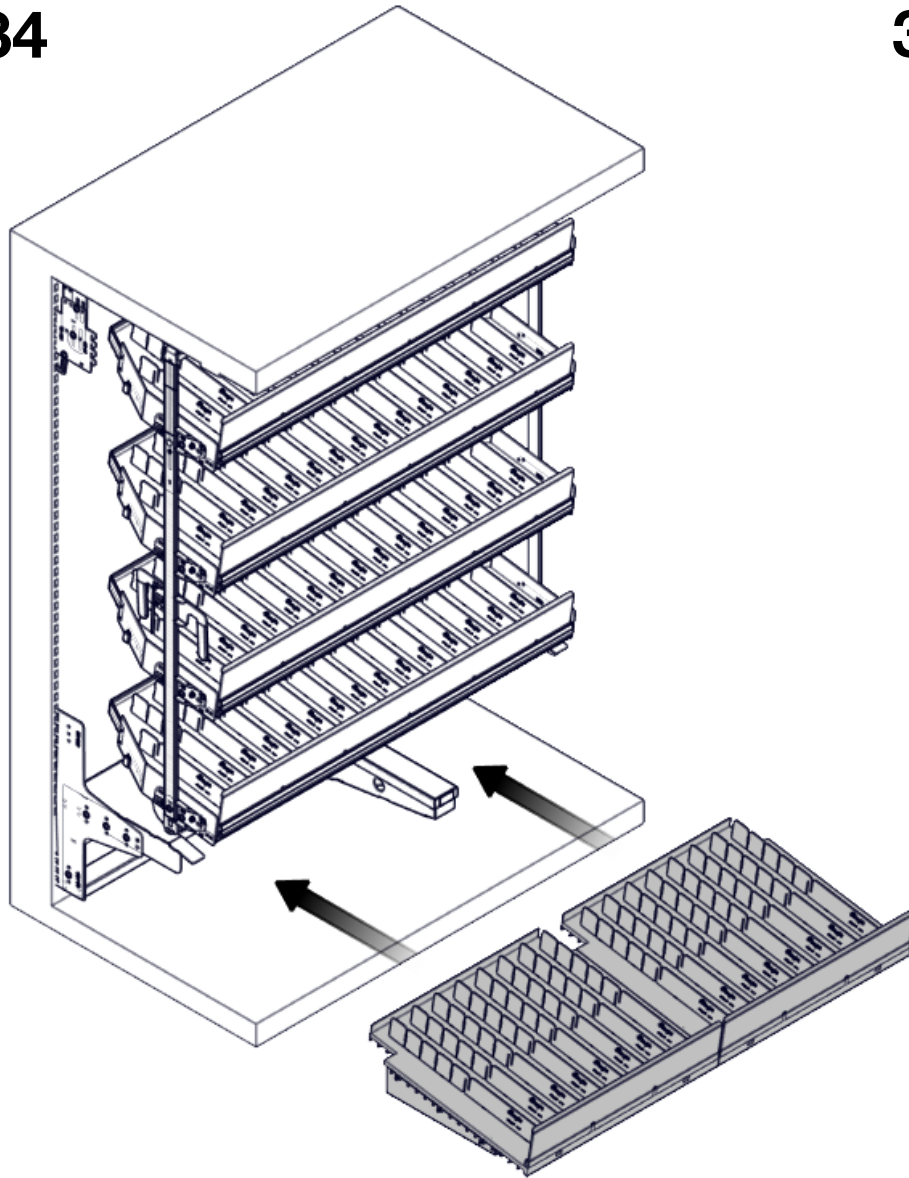
32



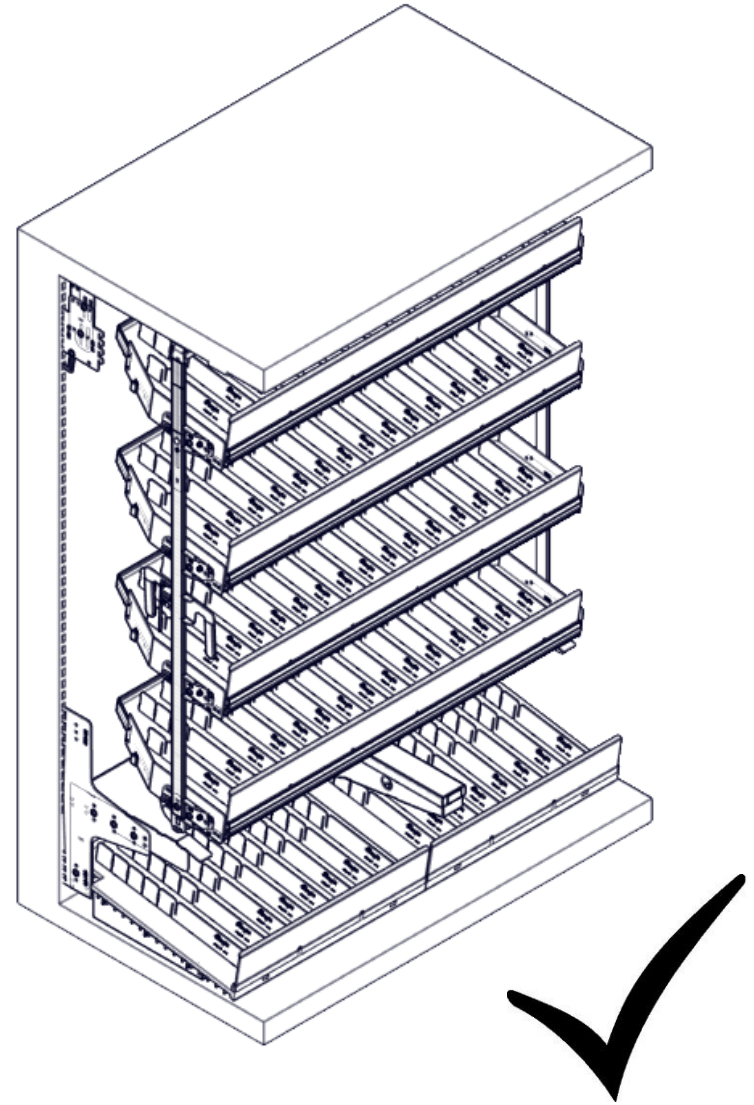
33



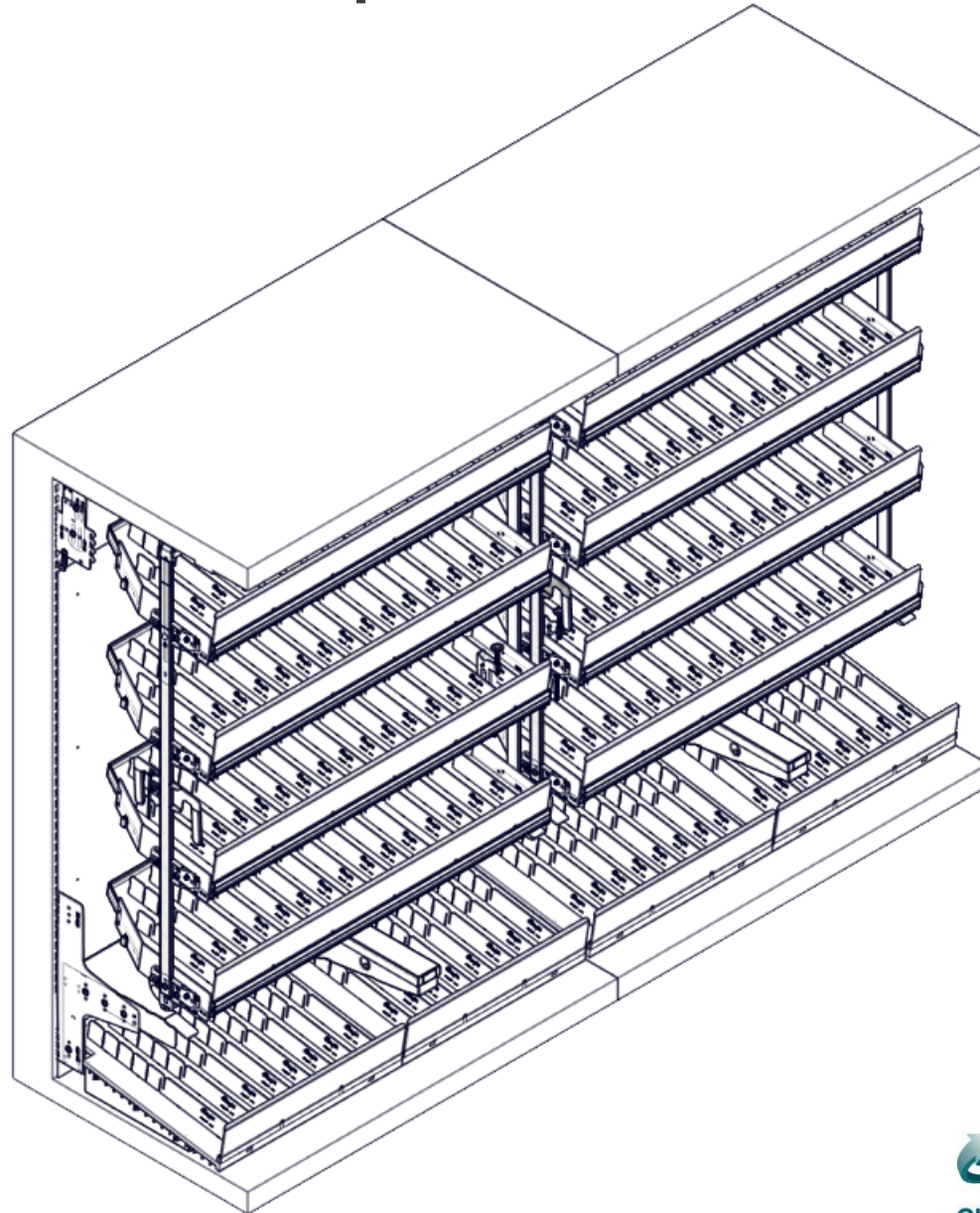
34



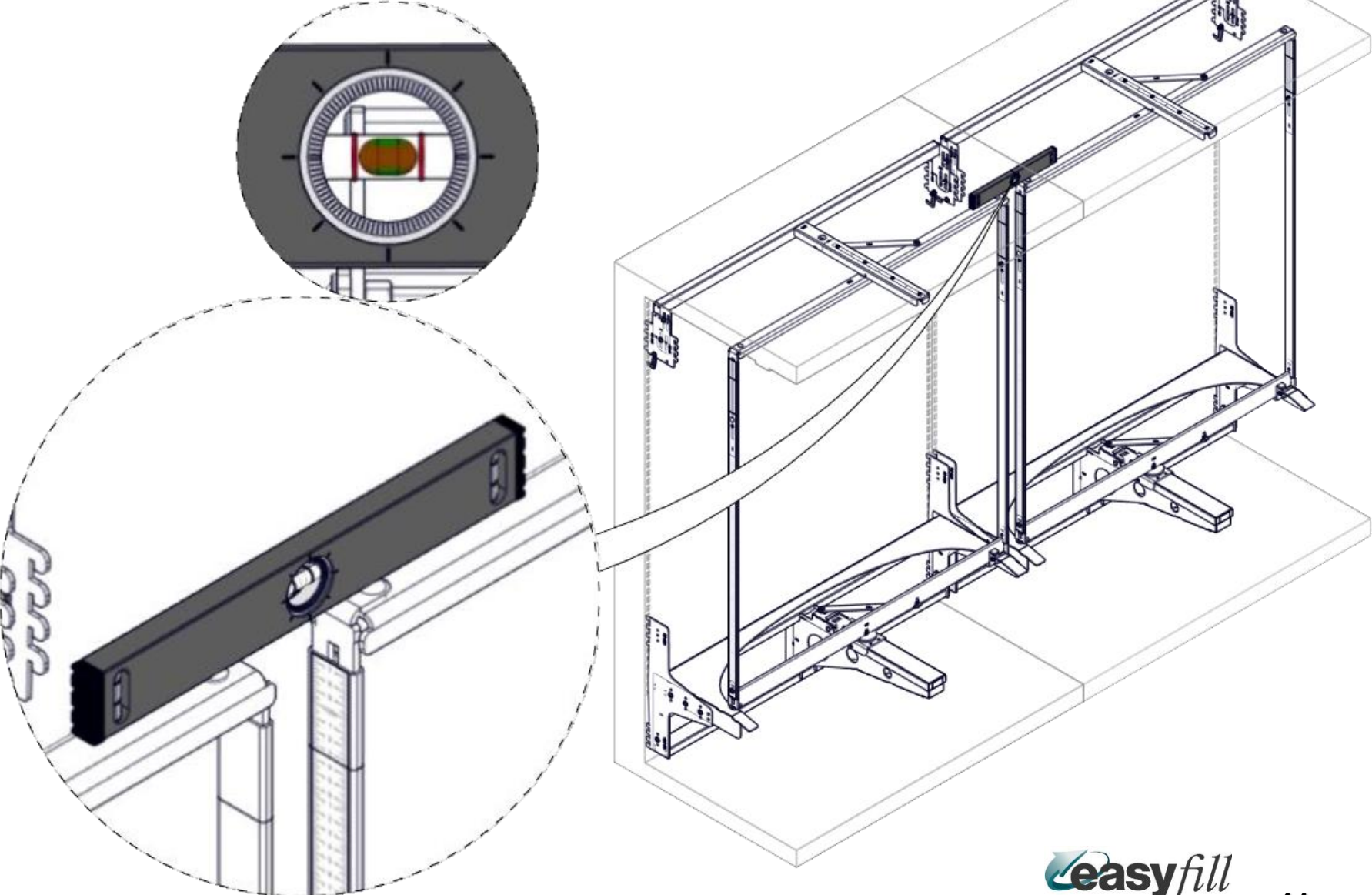
35



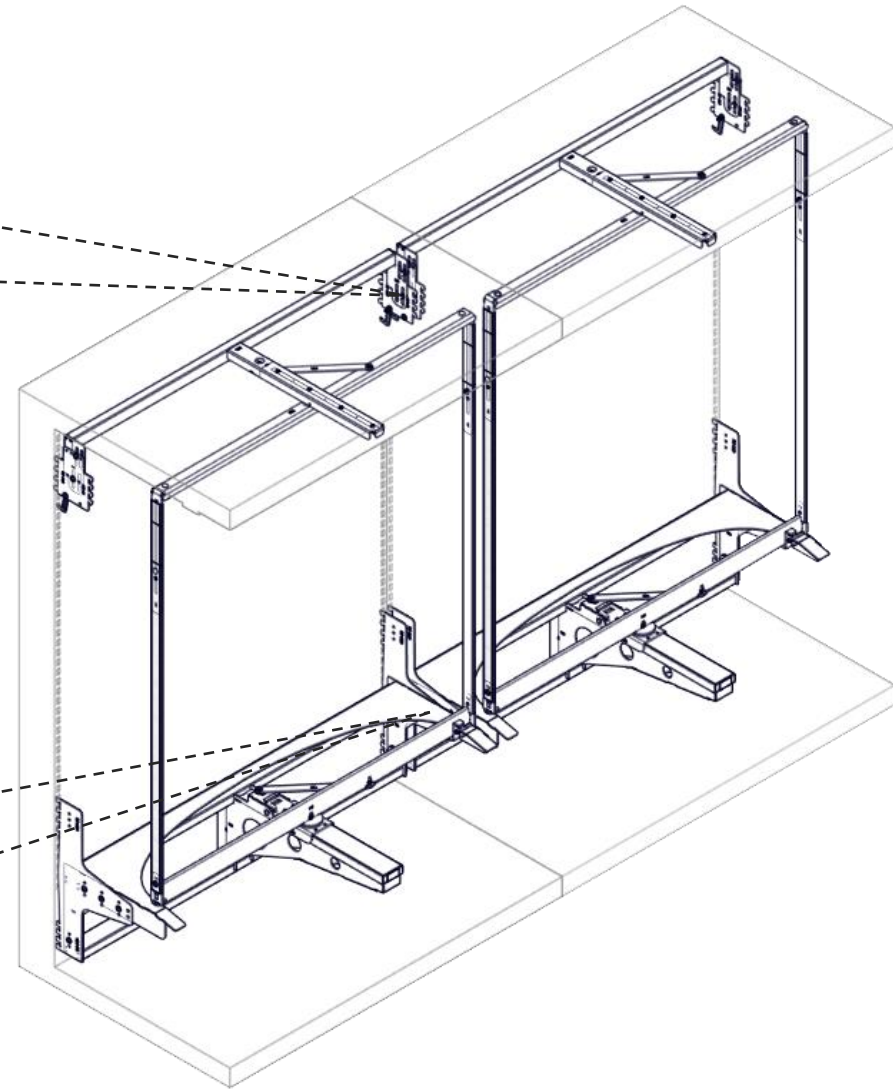
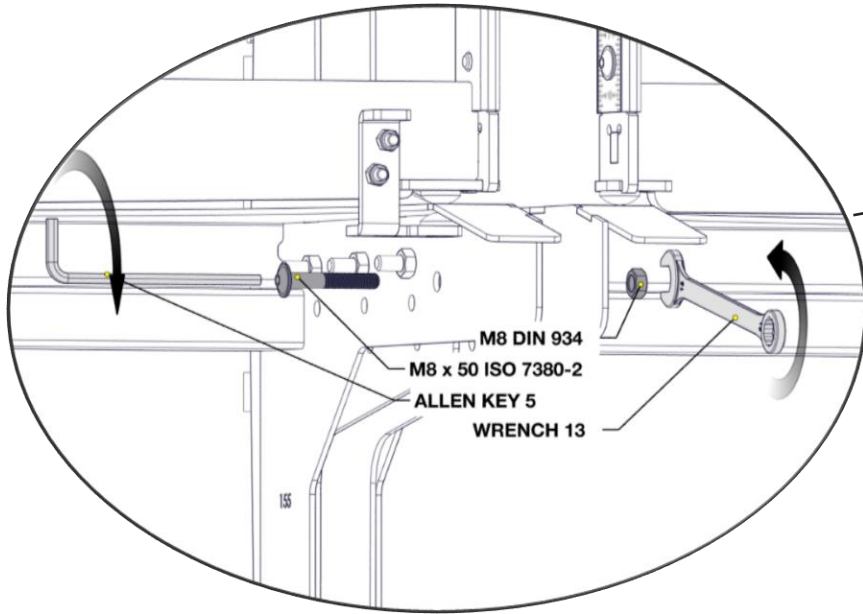
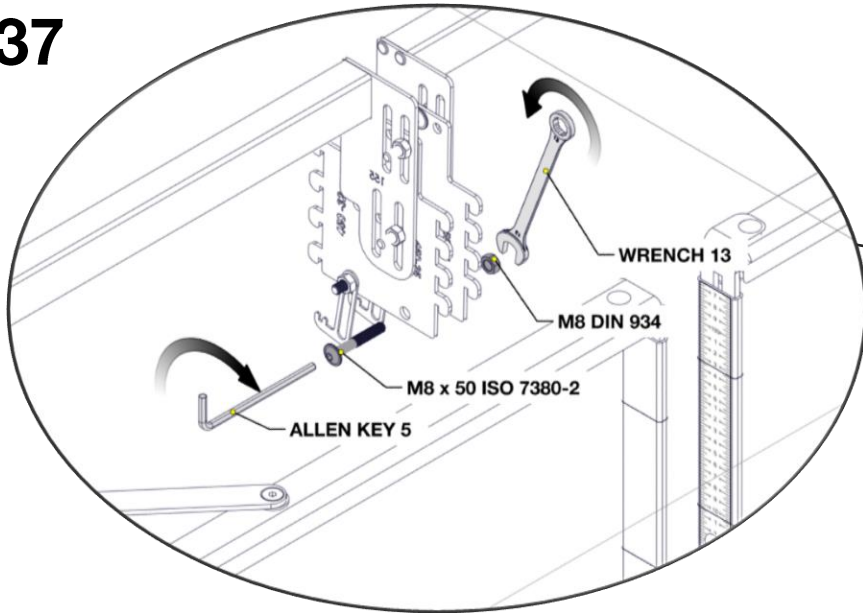
# Multiple installation







37



**Thanks!**  
**[www.easyfill.se](http://www.easyfill.se)**

ALL PICTURES SHOWN ARE FOR ILLUSTRATION PURPOSE ONLY.  
ACTUAL PRODUCT MAY VARY DUE TO PRODUCT ENHANCEMENT.  
ALL CHANGES ARE RESERVED BY EASYFILL.